

T&S BRASS AND BRONZE WORKS, INC.
 2 SADDLEBACK COVE / P.O. BOX 1088 / TRAVELERS REST, SC 29690
 PHONE 800-476-4103 FAX 864- 834-3518



Model No.

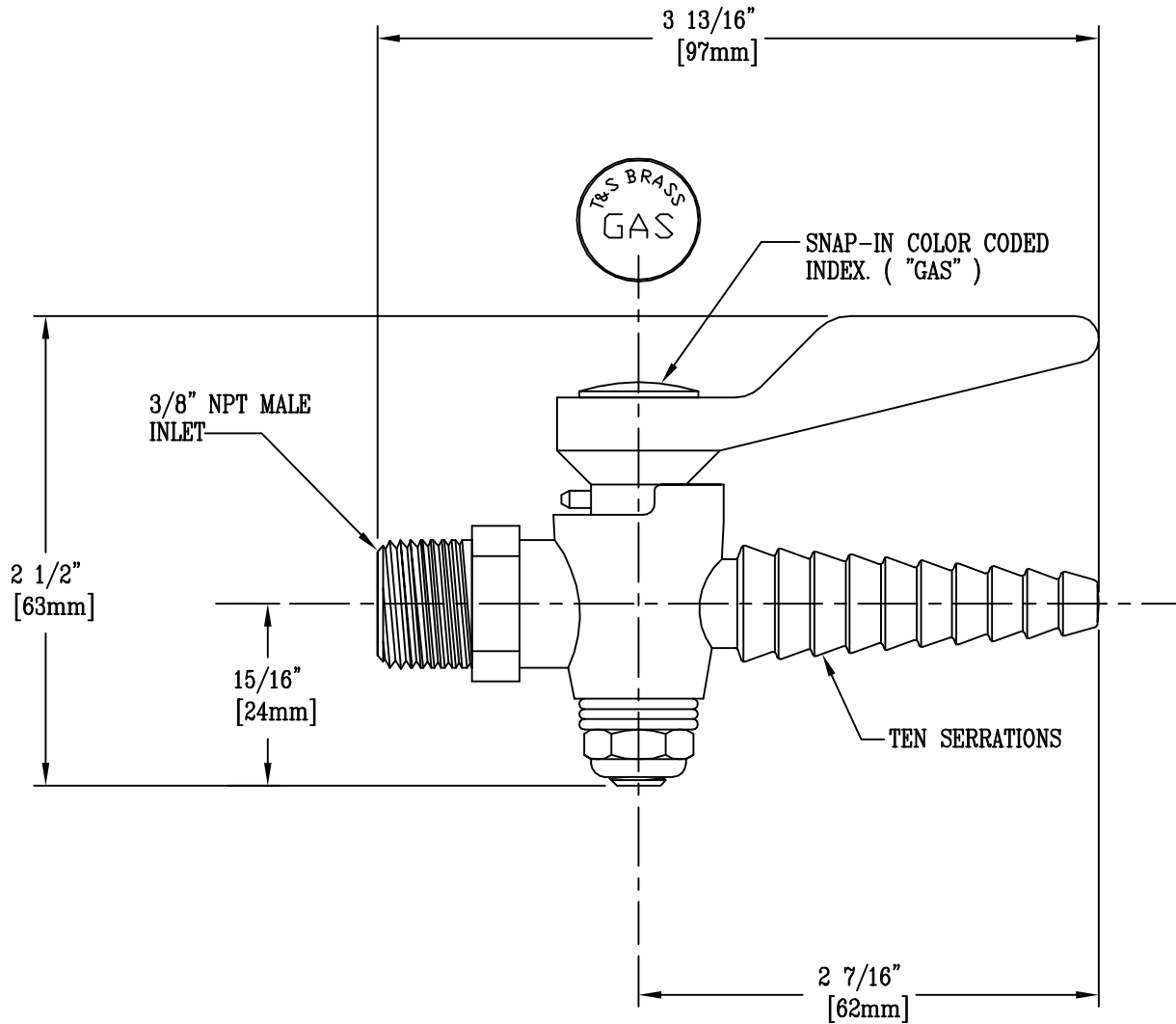
BL-4000-01

Item No.:

Job Name:

Architect/Engineer Approval:

Notes:



AGA AND CGA APPROVED GAS COCK

Product Description:

AGA AND CGA APPROVED
 GROUND KEY HOSE COCK

Drawn:

JKD

Approved

CA

Checked

MVW

Scale:

1' = 1'

Date:

4/22/98