



T&S BRASS AND BRONZE WORKS, INC.
 2 SADDLEBACK COVE / P.O. BOX 1088 / TRAVELERS REST, SC 29690
 PHONE 800-476-4103 FAX 864-834-3518



Model No.

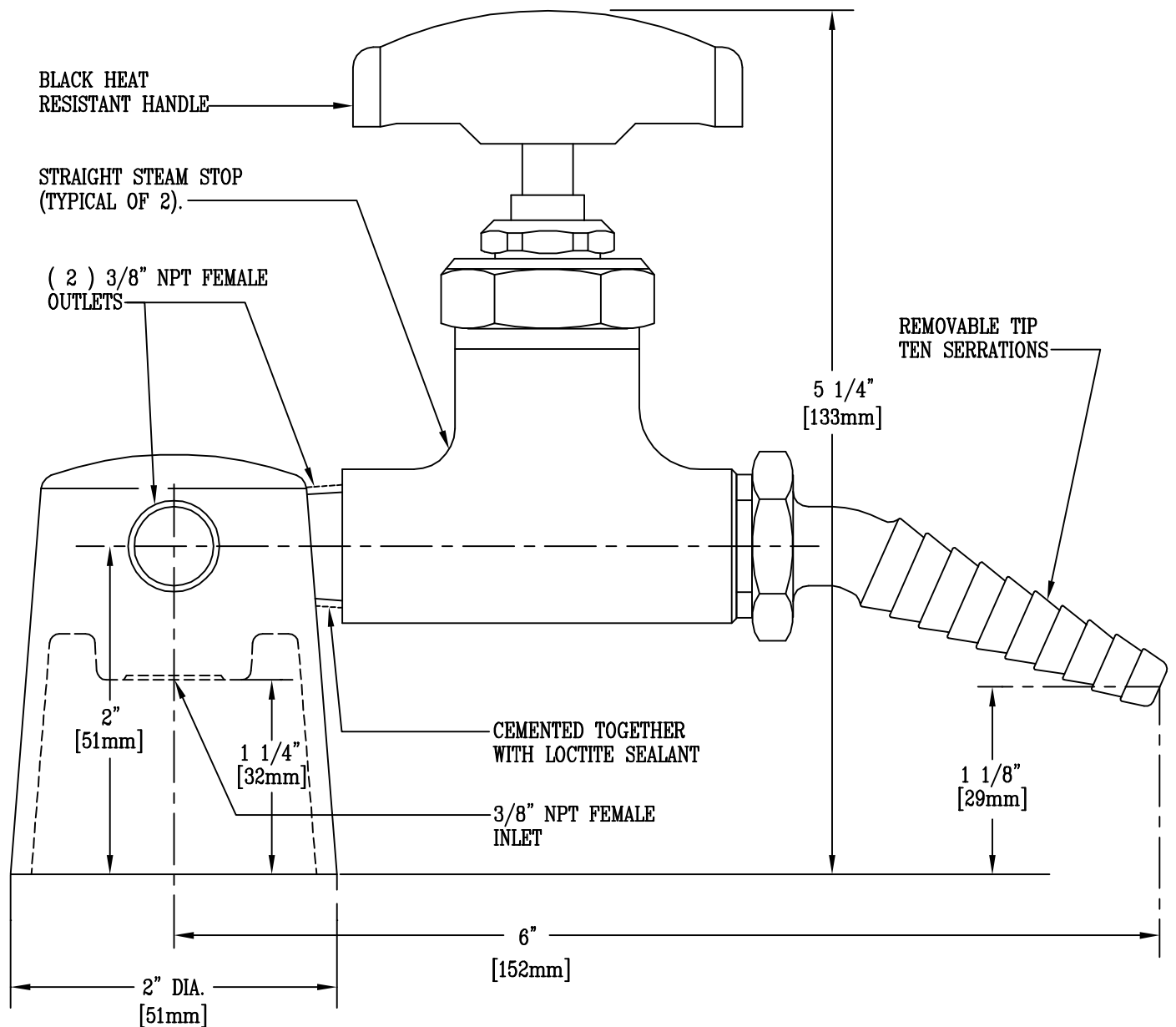
BL-4403-0

Item No.:

Job Name:

Architect/Engineer Approval:

Notes:



Product Description:

LABORATORY TURRET WITH (2) 90 DEGREE STRAIGHT STEAM STOPS, & 3/8" NPT FEMALE INLET

Drawn:

WJS

Checked

JKD

Scale:

1' = 1'

Approved

CA

Date:

11/22/95