



T&S BRASS AND BRONZE WORKS, INC.

2 SADDLEBACK COVE / P.O. BOX 1088 / TRAVELERS REST, SC 29690

PHONE 800-476-4103

FAX 864-834-3518



REG.#A2601  
ISO #9001

Model No.

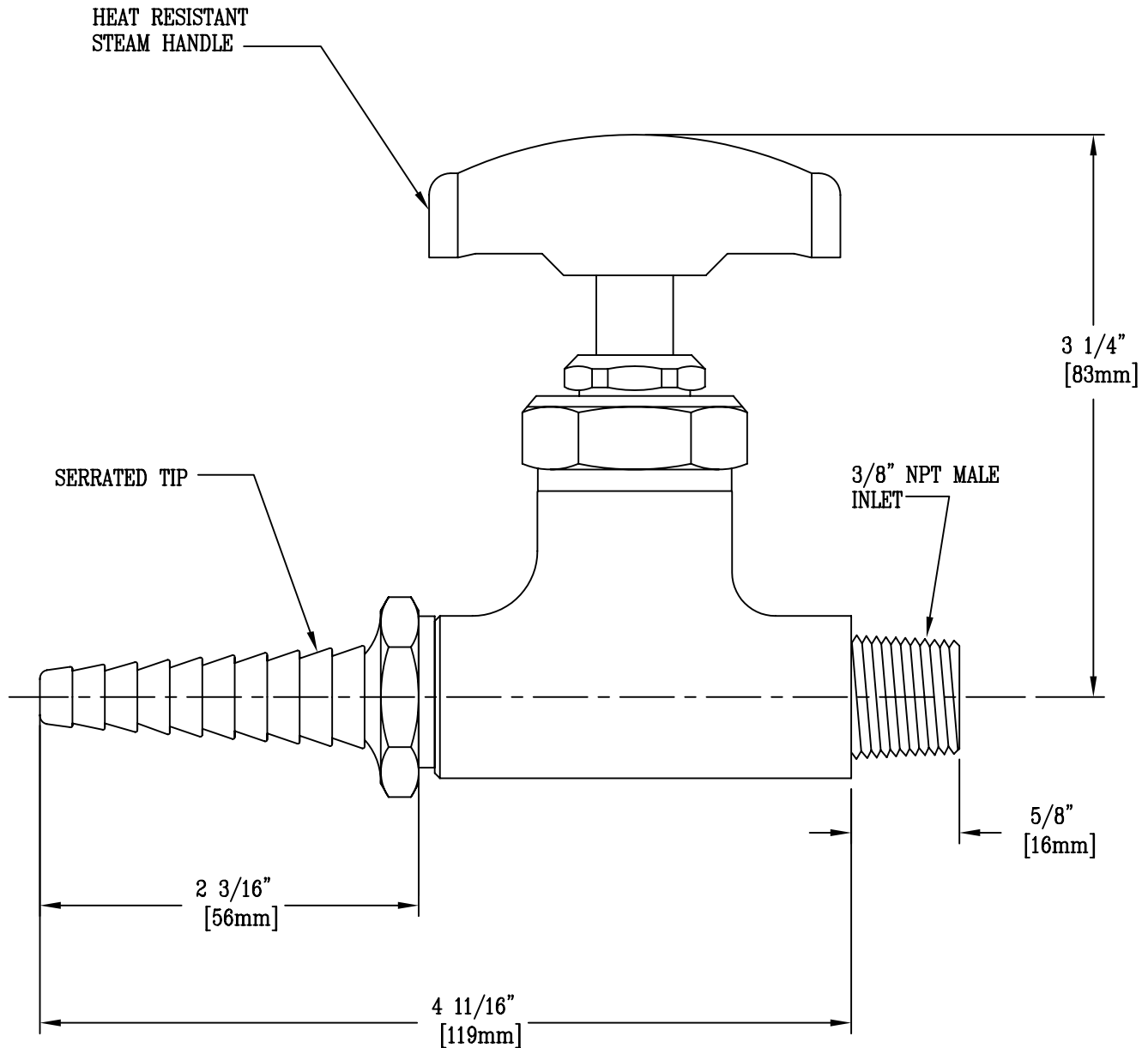
BL-4500-03

Item No.:

Job Name:

Architect/Engineer Approval:

Notes:



Product Description:

STRAIGHT STOP FOR STEAM, 3/8" NPT MALE INLET

Drawn:

WJS

Checked

JKD

Scale:

1:1

Approved

CA

Date:

1-21-95