



T&S BRASS AND BRONZE WORKS, INC.
 2 SADDLEBACK COVE / P.O. BOX 1088 / TRAVELERS REST, SC 29690
 PHONE 800-476-4103 FAX 864- 834-3518



Model No.

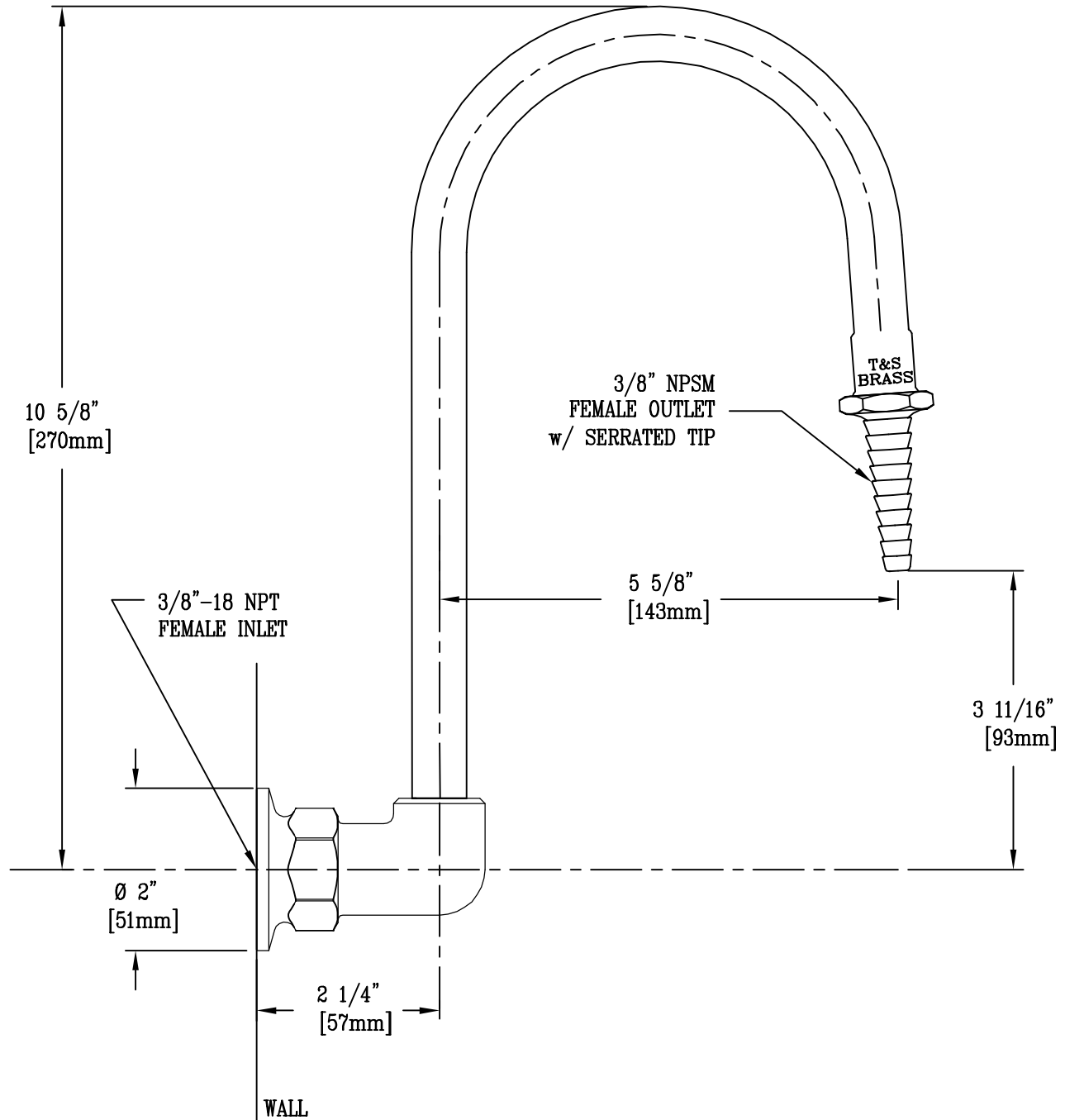
BL-4750-08

Item No.:

Job Name:

Architect/Engineer Approval:

Notes:



Product Description:

FLANGED ELBOW WITH 3/8" NPT FEMALE INLET & 120X RIGID GOOSENECK W/ B-0198 SERRATED TIP OUTLET

Drawn:

LEL

Checked

JKD

Scale:

1 : 2

Approved

MVW

Date:

9/11/02