



T&S BRASS AND BRONZE WORKS, INC.

2 SADDLEBACK COVE / P.O. BOX 1088 / TRAVELERS REST, SC 29690

PHONE 800-476-4103

FAX 864- 834-3518



Model No.

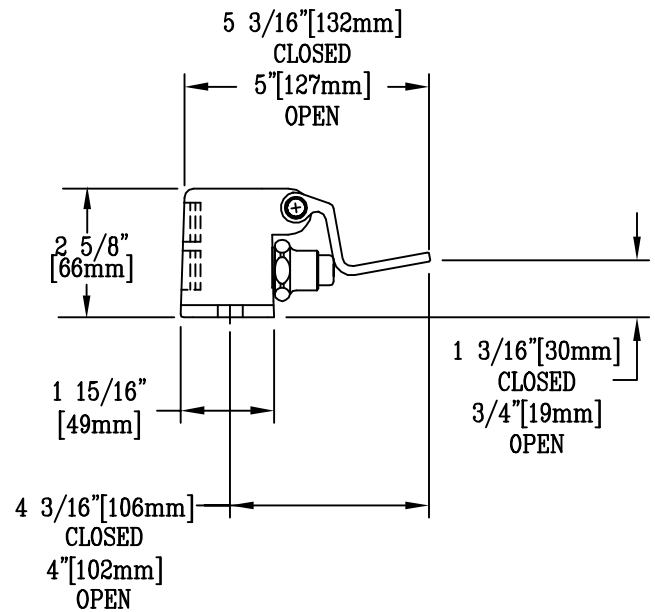
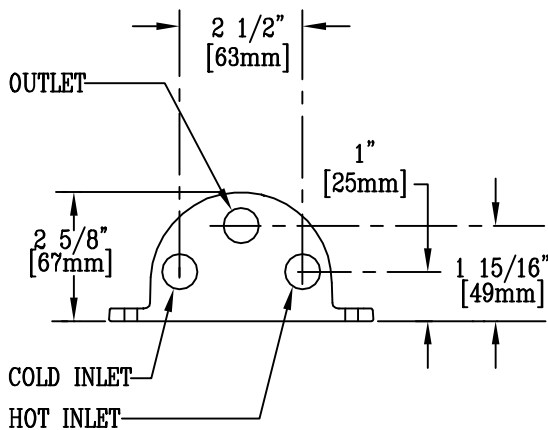
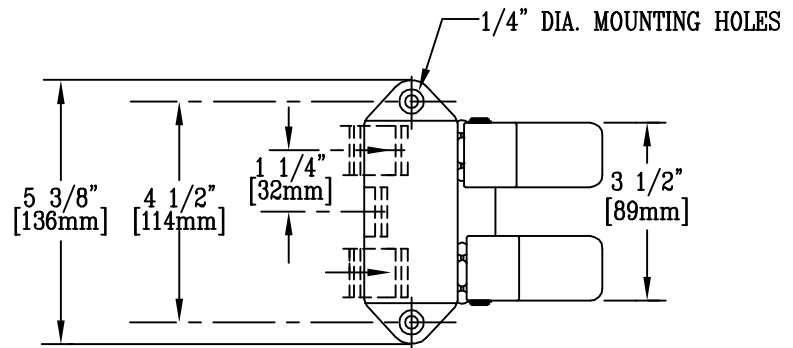
BL-5000-01

Item No.:

Job Name:

Architect/Engineer Approval:

Notes:



NOTE 1. INLETS & OUTLET ARE 1/2" NPT FEMALE

NOTE 2. FURNISHED WITH (2) WOOD MOUNTING SCREWS

Product Description:

DOUBLE PEDAL VALVE WITH
1/2" NPT INLETS & OUTLET

Drawn:

TME

Approved

MVW

Checked

WJS

Scale:

1:4

Date:

10/23/98