



T&S BRASS AND BRONZE WORKS, INC.

2 Saddleback Cove / P.O. Box 1088
Travelers Rest, SC 29690



REG. #A2601
ISO #9001

Model No.

BL-5500-0

Item No.

Travelers Rest: 800-476-4103

Simi Valley: 800-423-0150

Fax: 864-834-3518

www.tsbrass.com

This Space for Architect/Engineer Approval

Job Name _____ Date _____

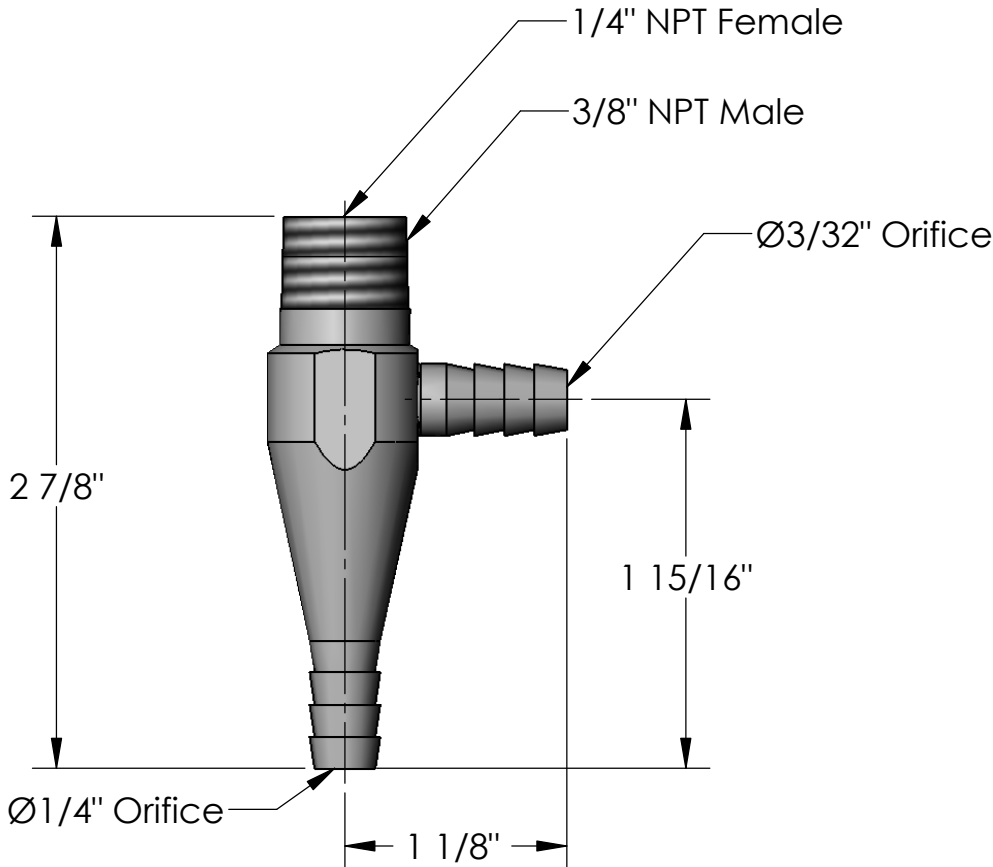
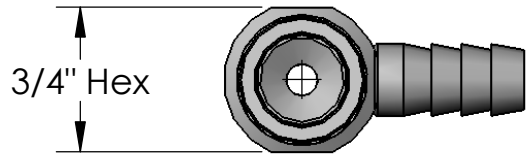
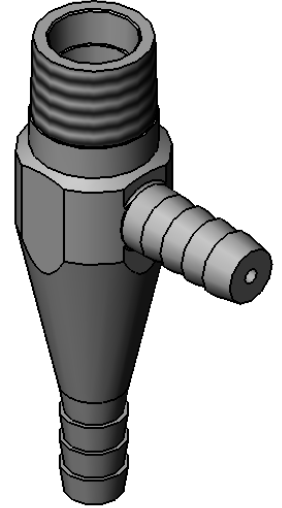
Model Specified _____ Quantity _____

Variations Specified _____

Customer/Wholesaler _____

Contractor _____

Architect _____



Product Description:

Aspirator

Drawn:
WJS

Checked:
JHB

Scale:
1:1

Approved:
JHB

Date:
12/20/05