



T&S BRASS AND BRONZE WORKS, INC.

2 SADDLEBACK COVE / P.O. BOX 1088 / TRAVELERS REST, SC 29690

PHONE 800-476-4103

FAX 803- 834-3518



Model No.

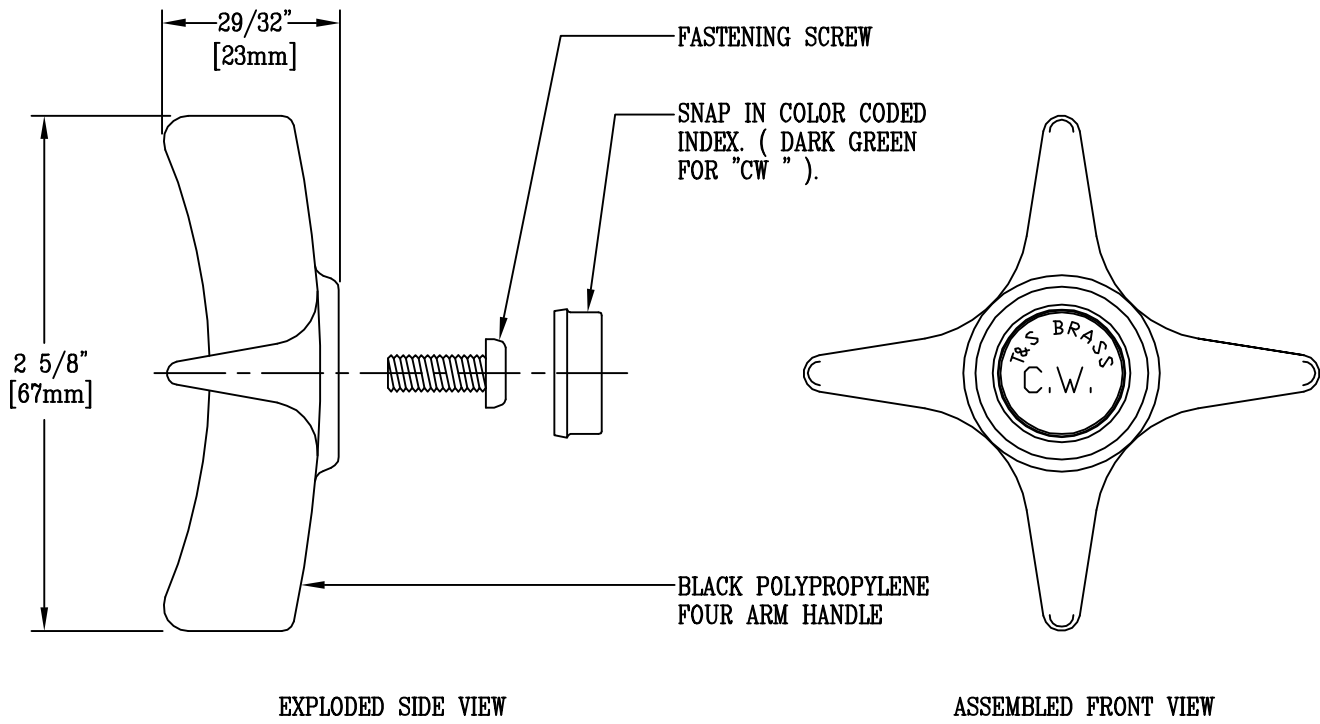
BL-5505-07

Item No.:

Job Name:

Architect/Engineer Approval:

Notes:



Product Description:

BLACK POLYPROPYLENE FOUR ARM HANDLE WITH GREEN " CW " SNAP IN INDEX AND FASTENING SCREW

Drawn:

WJS

Checked

ARY

Scale:

1' = 1'

Approved

CA

Date:

10/26/95