



T&S BRASS AND BRONZE WORKS, INC.
 2 SADDLEBACK COVE / P.O. BOX 1088 / TRAVELERS REST, SC 29690
 PHONE 800-476-4103 FAX 803-834-3518



Model No.

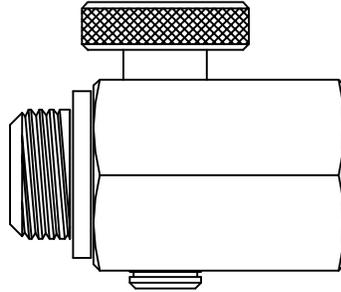
BL-5545-01

Item No.:

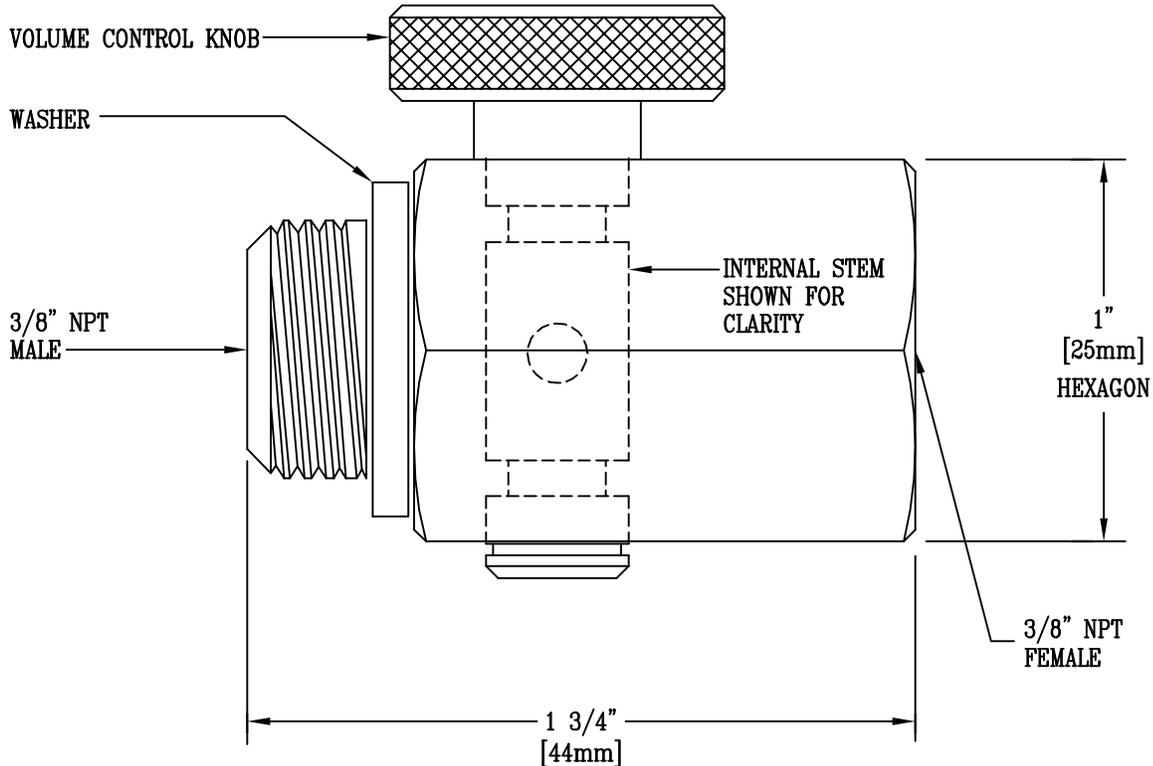
Job Name:

Architect/Engineer Approval:

Notes:



ACTUAL SIZE



Product Description:

VOLUME CONTROL FITTING
 3/8" NPT MALE x 3/8" NPT FEMALE

Drawn:

WJS

Checked

ARY

Scale:

2' = 1'

Approved

CA

Date:

10/26/95