



T&S BRASS AND BRONZE WORKS, INC.
 2 SADDLEBACK COVE / P.O. BOX 1088 / TRAVELERS REST, SC 29690
 PHONE 800-476-4103 FAX 864- 834-3518

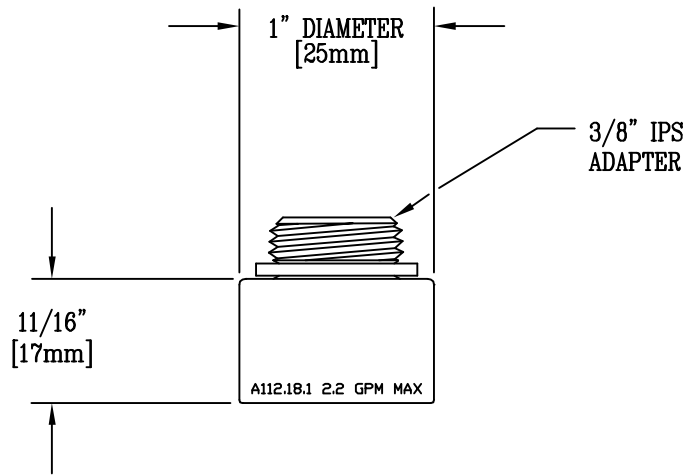


Model No.
 BL-5550-01
 Item No.:

Job Name:

Architect/Engineer Approval:

Notes:



Product Description:

AERATOR WITH 3/8" IPS
 MALE ADAPTER & WASHER

Drawn:

WJS

Approved

CA

Checked

ARY

Scale:

1' = 1'

Date:

10/26/95