



T&S BRASS AND BRONZE WORKS, INC.
 2 SADDLEBACK COVE / P.O. BOX 1088 / TRAVELERS REST, SC 29690
 PHONE 800-476-4103 FAX 864-834-3518

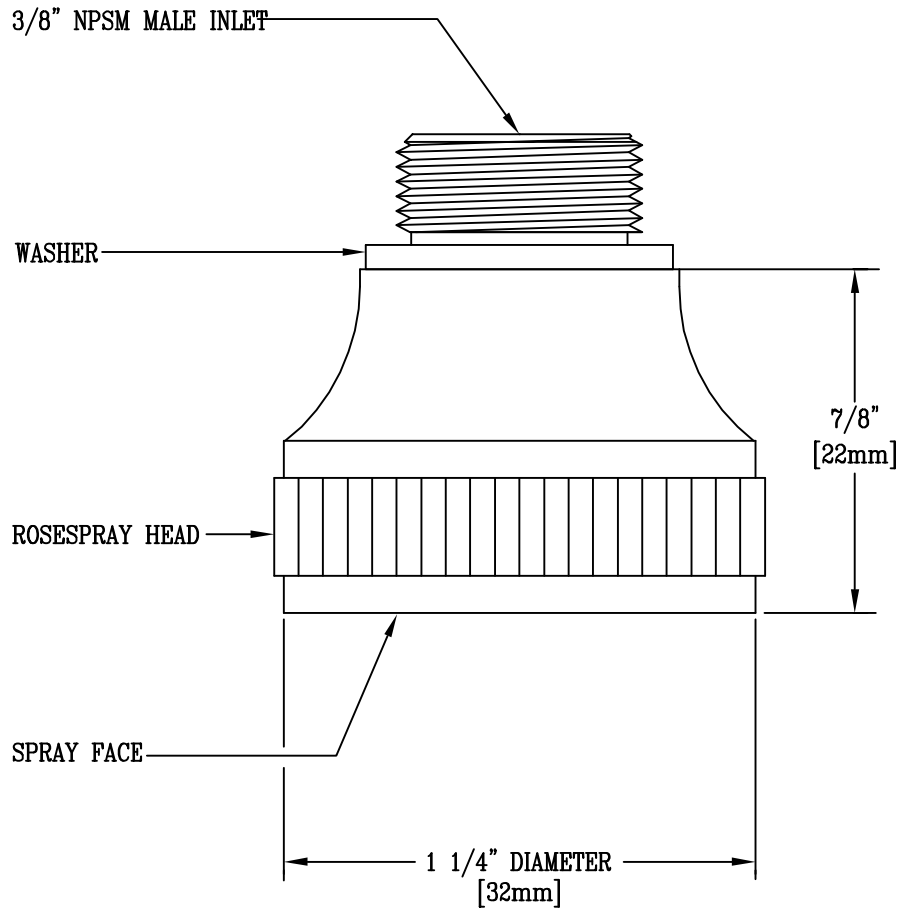


Model No.
 BL-5550-02
 Item No.:

Job Name:

Architect/Engineer Approval:

Notes:



FLOW TEST DATA	
FLOW PRESSURE-PSI	GPM
10 PSI	5.9
20 PSI	8.3
30 PSI	10.2
40 PSI	11.6
50 PSI	13.2

Product Description:
 ROSESpray ASSEMBLY WITH
 3/8" NPSM MALE INLET

Drawn:

WJS

Checked

ARY

Scale:

2' = 1'

Approved

CA

Date:

10/26/95