



T&S BRASS AND BRONZE WORKS, INC.
 2 SADDLEBACK COVE / P.O. BOX 1088 / TRAVELERS REST, SC 29690
 PHONE 800-476-4103 FAX 803- 834-3518

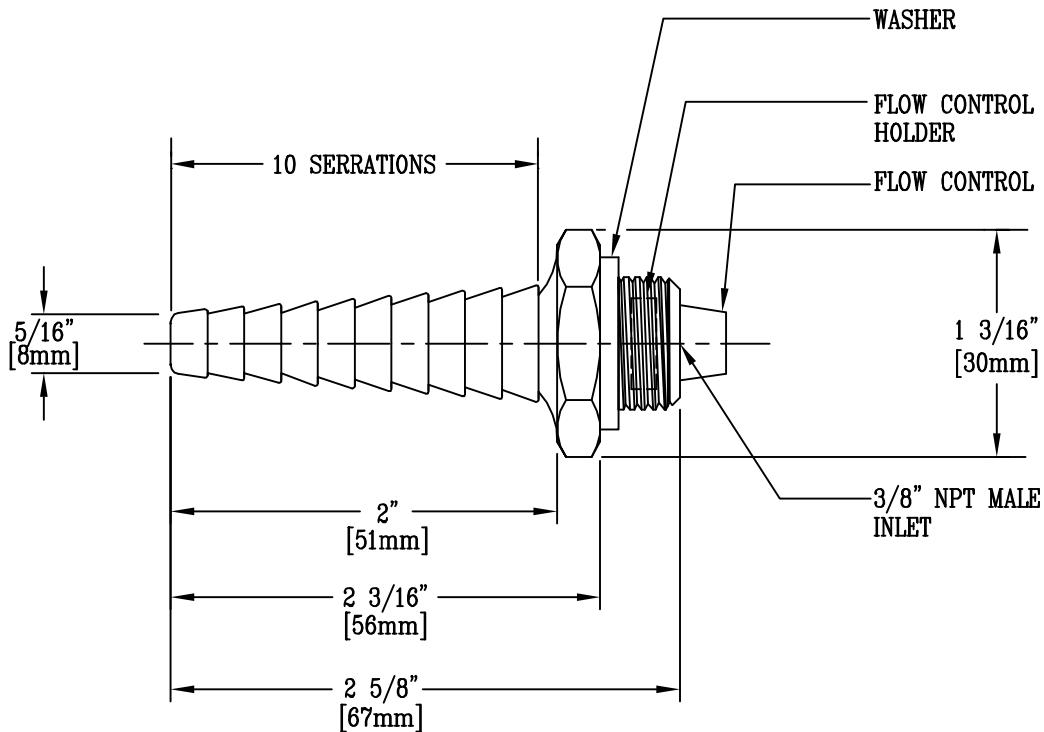


Model No.
 BL-5550-04F
 Item No.:

Job Name:

Architect/Engineer Approval:

Notes:



NOTE: SELECT FLOW CONTROL DESIRED THEN ADD SUFFIX TO MODEL NO.
 (FOR EXAMPLE: BL-5550-01F)

| FLOW (GPM±15%) | SUFFIX | MODELS BEST USED ON |
|----------------|--------|--|
| 0.25 | F-03 | B-0198 CAN BE USED WITH AERATORS. |
| 0.40 | F-05 | |
| 0.70 | F-07 | ALL MODELS SHOWN |
| 0.90 | F-10 | |
| 1.20 | F-12 | CAN BE USED ON ALL MODELS SHOWN EXCEPT B-0199-16, B-0199-17 B-0199-18 & B-0199-19. |
| 1.40 | F-15 | |
| 2.00 | F-20 | |
| 2.50 | F-25 | |

NOTE: USE OF FLOW CONTROLS ABOVE F-05 WILL BE LESS EFFECTIVE IN REDUCING SPLASH ON SERRATED TIP ONLY.

Product Description:

STRAIGHT SERRATED TIP WITH 3/8" IPS MALE INLET & FLOW CONTROL FITTING

Drawn:

WJS

Checked

ARD

Scale:

1' = 1'

Approved

CA

Date:

10/27/95