



**T&S BRASS AND BRONZE WORKS, INC.**  
 2 SADDLEBACK COVE / P.O. BOX 1088 / TRAVELERS REST, SC 29690  
 PHONE 800-476-4103 FAX 864- 834-3518



Model No.

BL-5550-26

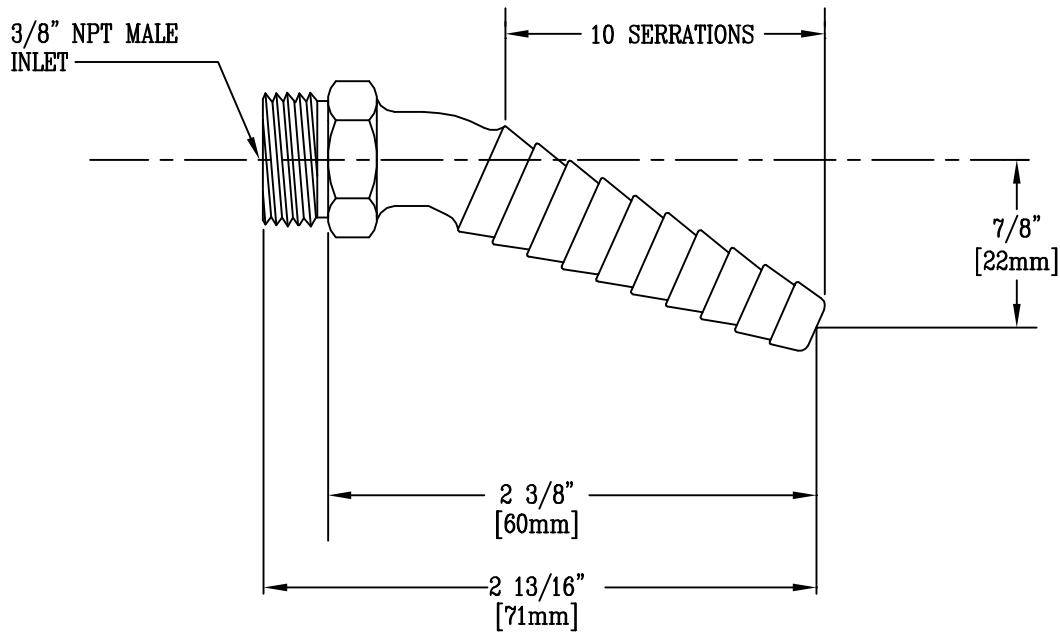
Item No.:

REG.#A2601  
ISO #9002

Job Name:

Architect/Engineer Approval:

Notes:



**NOTE : BL-5550-26 SERRATED TIP IS USED ON SIDE OUTLETS OF TURRETS, OUTLETS, OR PANEL FLANGES, AND IN OTHER APPLICATIONS IN WHICH A SMALL HEX SHOULDER IS NECESSARY TO AVOID INTERFERENCE OR CONTRIBUTE TO APPEARANCE.**

Product Description:

ANGLE SERRATED TIP WITH  
3/8" IPS MALE INLET

Drawn:

WJS

Approved

CA

Checked

ARD

Scale:

1' = 1'

Date:

10/25/95