



T&S BRASS AND BRONZE WORKS, INC.
 2 SADDLEBACK COVE / P.O. BOX 1088 / TRAVELERS REST, SC 29690
 PHONE 800-476-4103 FAX 864- 834-3518



Model No.

BL-5550-27

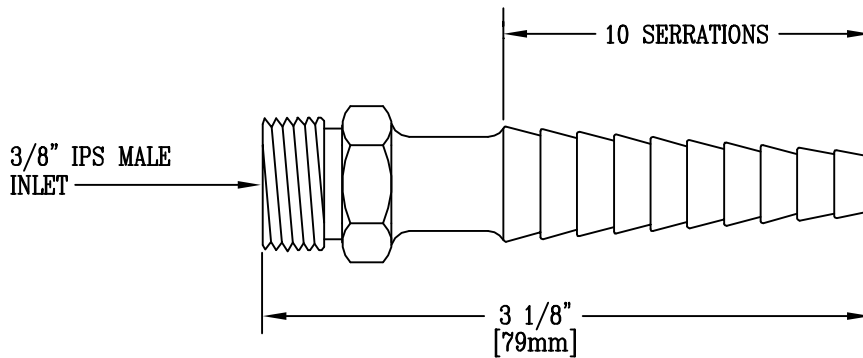
Item No.:

REG.#A2601
ISO #9002

Job Name:

Architect/Engineer Approval:

Notes:



Product Description:

BLACK POLYPROPYLENE
 STRAIGHT SERRATED TIP WITH
 3/8" NPT MALE INLET, & WASHER

Drawn:

WJS

Checked

ARD

Scale:

1' = 1'

Approved

CA

Date:

10/25/95