



**T&S BRASS AND BRONZE WORKS, INC.**  
 2 SADDLEBACK COVE / P.O. BOX 1088 / TRAVELERS REST, SC 29690  
 PHONE 800-476-4103 - FAX 864- 834-3518



Model No.  
 BL-5700-02  
**RELIABILITY  
 BUILT IN**

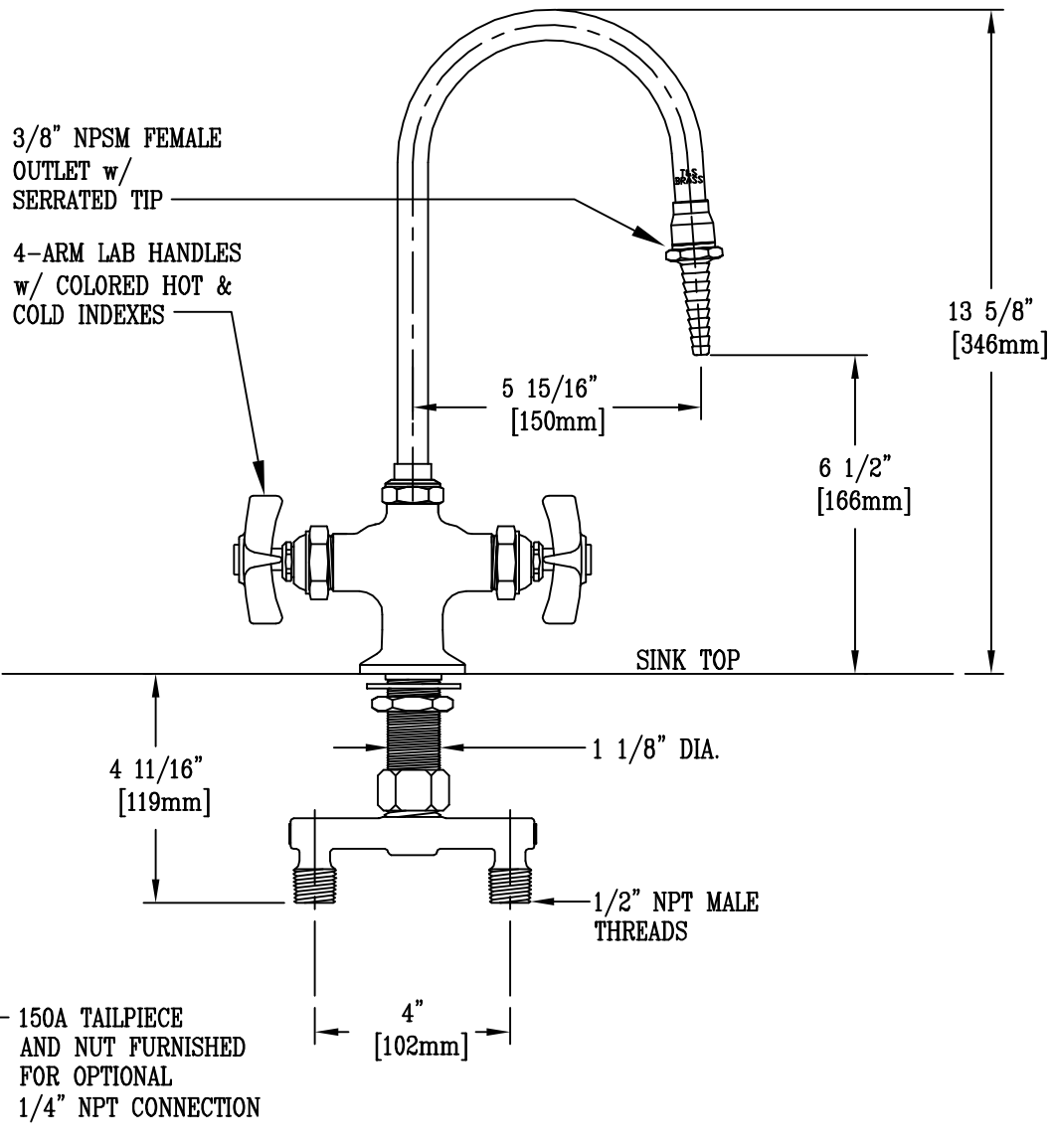
Job Name:

Architect/Engineer Approval:

Notes:



ADA COMPLIANT



Product Description:  
 LAB MIXING FCT. w/ SWIVEL GOOSENECK,  
 SERRATED TIP OUTLET, 4-ARM LAB HANDLES,  
 4" SPREADER ASM w/ 1/2" NPT MALE INLETS

Drawn: PRJ	Checked WJS	Scale: 1 : 4
Approved MVW	Date: 05/23/02	