

T&S BRASS AND BRONZE WORKS, INC.
 2 SADDLEBACK COVE / P.O. BOX 1088 / TRAVELERS REST, SC 29690
 PHONE 800-476-4103 - FAX 864- 834-3518



Model No.

BL-5700-03

**RELIABILITY
BUILT IN**

Job Name:

Architect/Engineer Approval:

Notes:



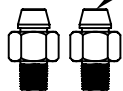
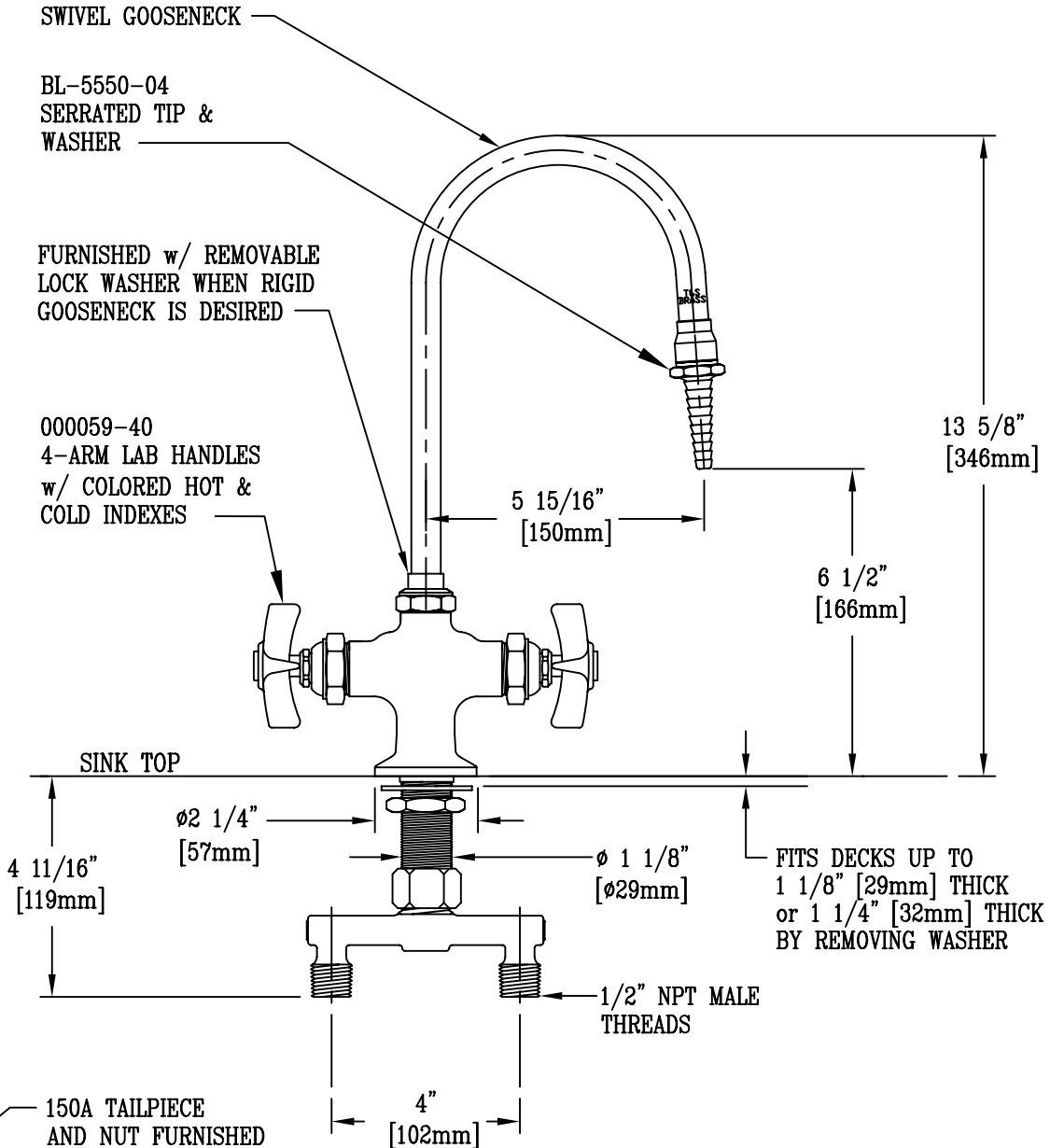
ADA COMPLIANT

SWIVEL GOOSENECK

BL-5550-04
SERRATED TIP &
WASHER

FURNISHED w/ REMOVABLE
LOCK WASHER WHEN RIGID
GOOSENECK IS DESIRED

000059-40
4-ARM LAB HANDLES
w/ COLORED HOT &
COLD INDEXES



150A TAILPIECE
AND NUT FURNISHED
FOR 1/4" NPT
CONNECTION

ROUGH-IN REQUIREMENTS:
 $\phi 1 \frac{1}{2}"$ [$\phi 38$ mm] HOLE
 $\phi 1 \frac{1}{4}"$ [$\phi 32$ mm] MINIMUM

Product Description:

LAB MIXING FCT. w/ SWIVEL GOOSENECK,
 SERRATED TIP OUTLET, 4-ARM LAB HANDLES,
 4" SPREADER ASM w/ 1/2" NPT MALE INLETS

Drawn:

DMH

Approved

JHB

Checked

KJG

Scale:

1 : 4

Date:

08/14/08