



T&S BRASS AND BRONZE WORKS, INC.
 2 SADDLEBACK COVE / P.O. BOX 1088 / TRAVELERS REST, SC 29690
 PHONE 800-476-4103 - FAX 864- 834-3518



Model No.

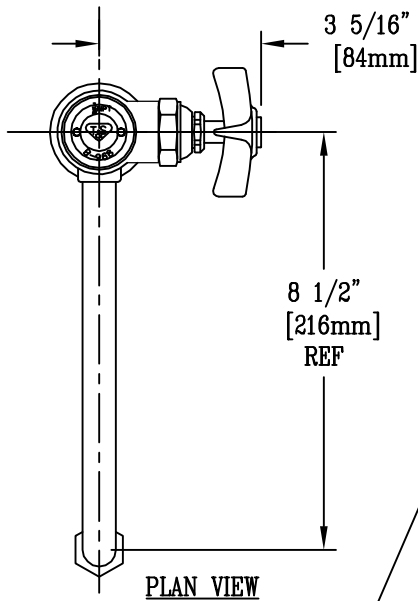
BL-5705-10

**RELIABILITY
BUILT IN**

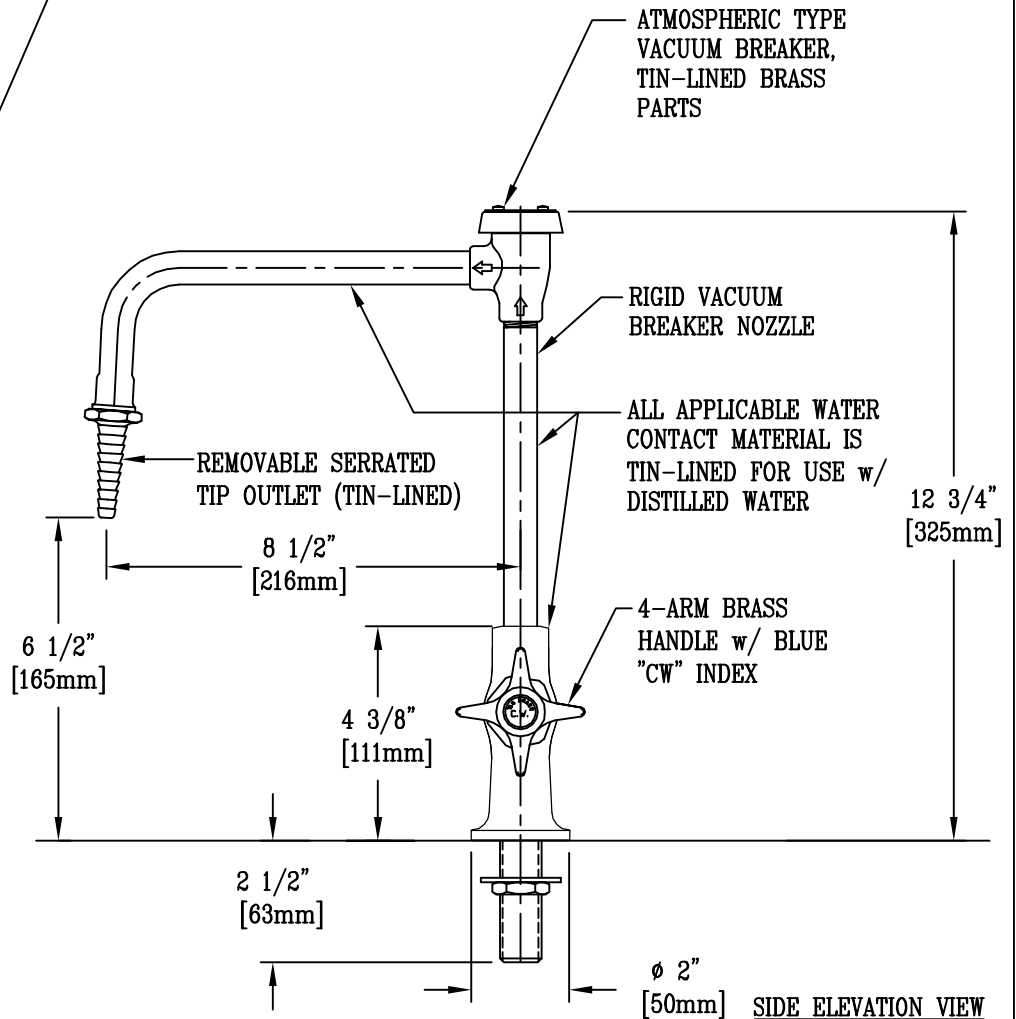
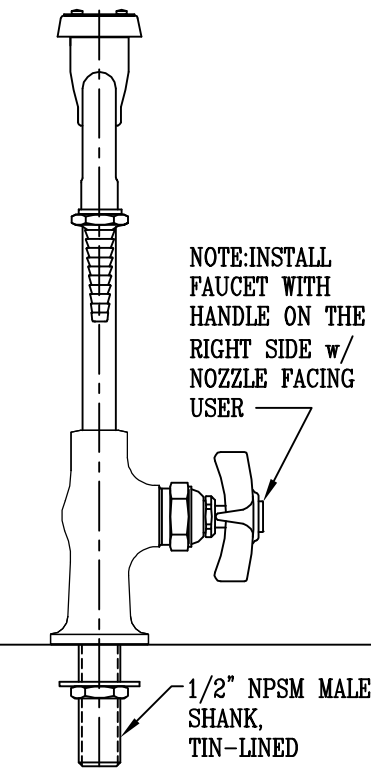
Job Name:

Architect/Engineer Approval:

Notes:



FURNISHED w/ 150A
TAILPIECE & NUT
(TIN-LINED) FOR
OPTIONAL 1/4" NPT
MALE CONNECTION



Product Description:

BL-5705-08 STYLE DISTILLED WATER FIXTURE WITH 8 1/2" NOZZLE SPREAD
 REMOVABLE SERRATED TIP & 4-ARM BRASS HANDLE

Drawn:

WJS

Approved

MVW

Checked

JKD

Scale:

1 : 4

Date:

8/7/03