



T&S BRASS AND BRONZE WORKS, INC.
 2 SADDLEBACK COVE / P.O. BOX 1088 / TRAVELERS REST, SC 29690
 PHONE 800-476-4103 - FAX 864- 834-3518



Model No.

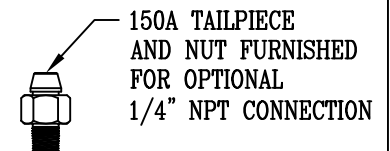
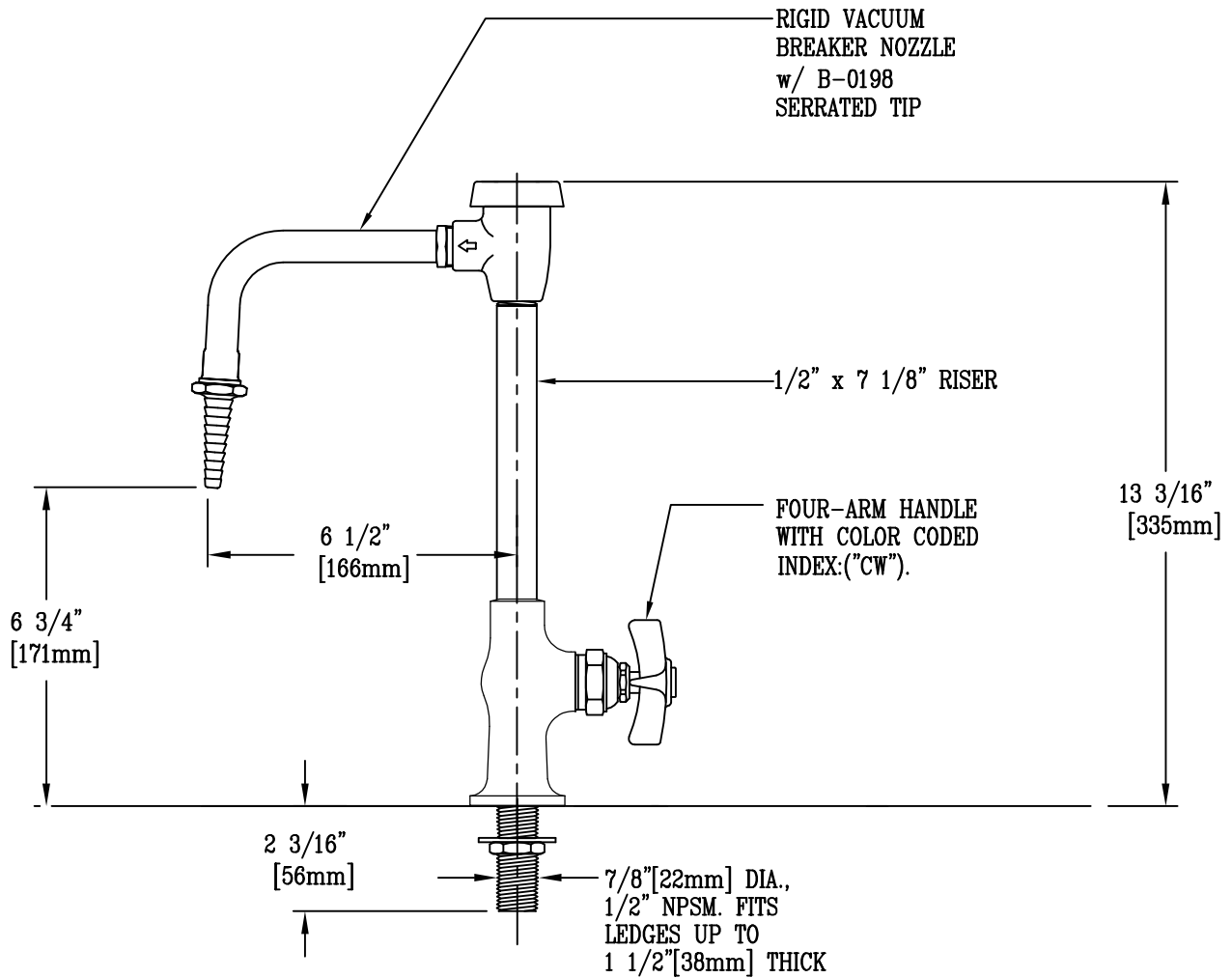
BL-5707-04

**RELIABILITY
 BUILT IN**

Job Name:

Architect/Engineer Approval:

Notes:



Product Description: SINGLE TEMPERATURE LAB FCT. w/ RIGID VACUUM BREAKER NOZZLE, SERRATED TIP OUTLET, 1/2" NPSM MALE SHANK	Drawn: WJS	Checked JHB	Scale: 1 : 4
	Approved JHB		Date: 10/21/05