



T&S BRASS AND BRONZE WORKS, INC.
 2 SADDLEBACK COVE / P.O. BOX 1088 / TRAVELERS REST, SC 29690
 PHONE 800-476-4103 - FAX 864- 834-3518



Model No.

BL-5709-02

**RELIABILITY
 BUILT IN**

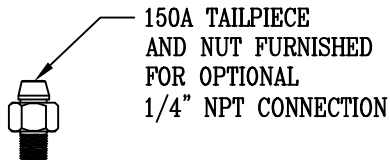
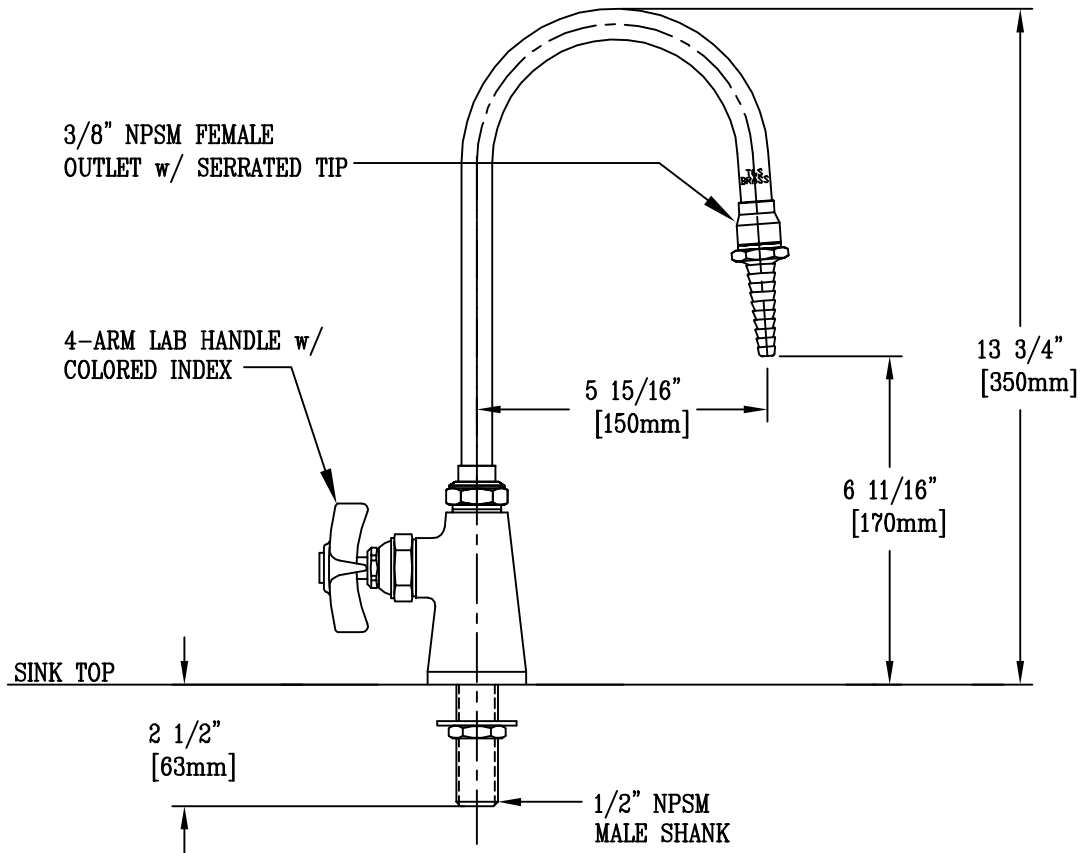
Job Name:

Architect/Engineer Approval:

Notes:



ADA COMPLIANT



Product Description:

SINGLE TEMPERATURE LAB FCT. w/ SWIVEL GOOSENECK,
 SERRATED TIP OUTLET, 1/2" NPSM MALE SHANK

Drawn:

PRJ

Approved

MVW

Checked

WJS

Scale:

1 : 4

Date:

05/23/02