



T&S BRASS AND BRONZE WORKS, INC.

2 Saddleback Cove / P.O. Box 1088
Travelers Rest, SC 29690



REG. #A2601
ISO #9001

Model No.
BL-5740-03

Item No.

Travelers Rest, SC: 800-476-4103 Simi Valley, CA: 800-423-0150 Fax: 864-834-3518 www.tsbrass.com

This Space for Architect/Engineer Approval

Job Name _____ Date _____

Model Specified _____ Quantity _____

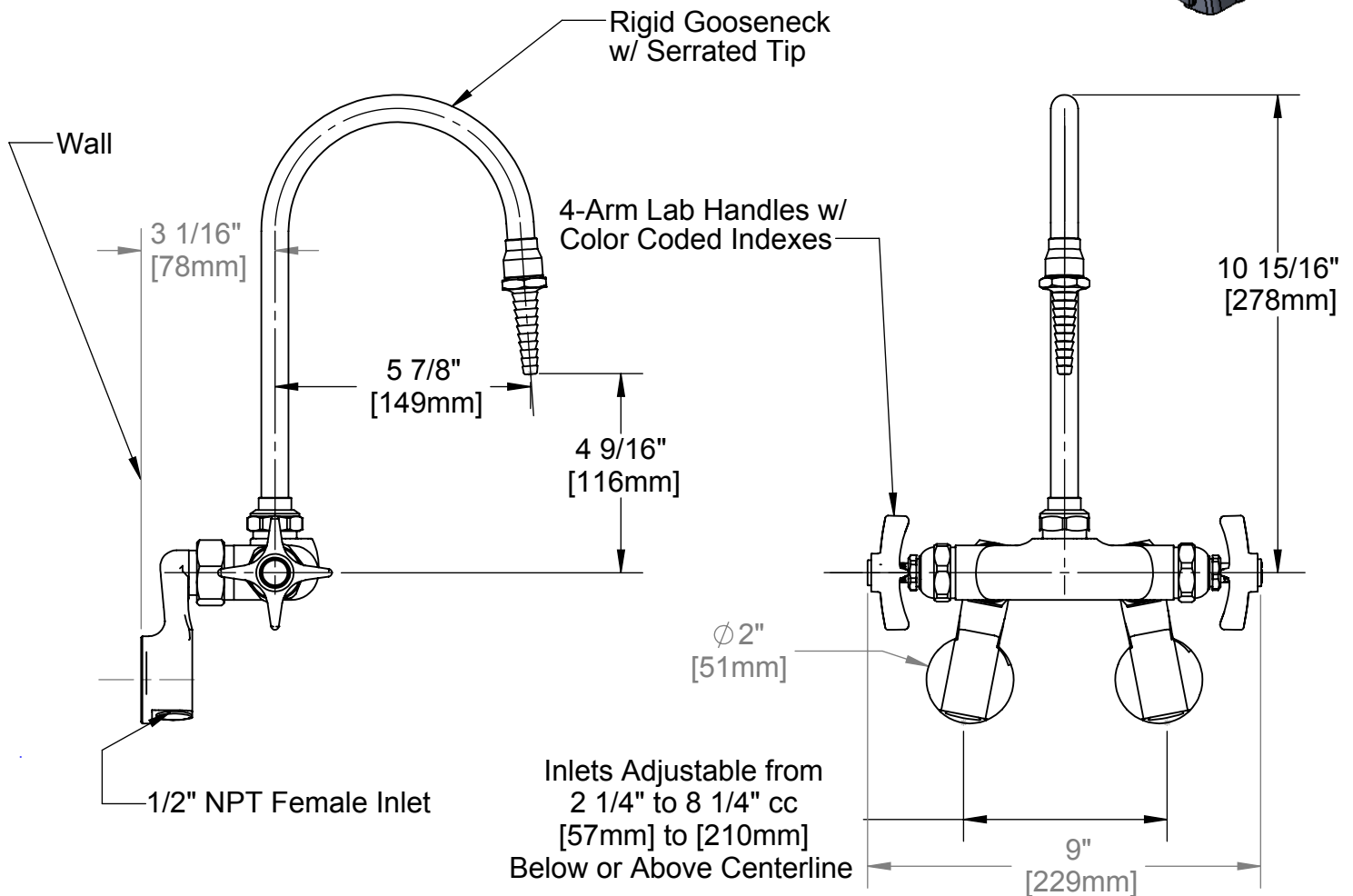
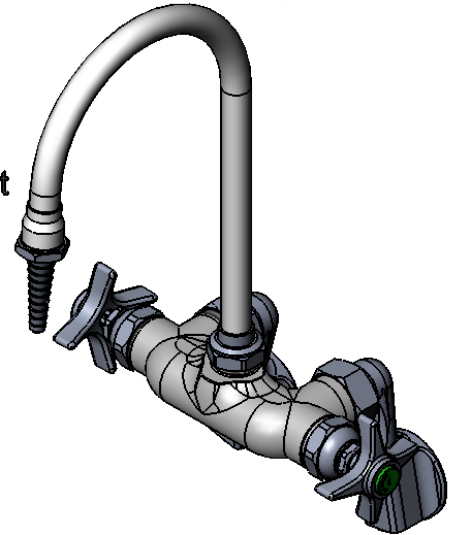
Customer/Wholesaler _____

Contractor _____

Architect/Engineer _____



ADA Compliant



Product Specifications:

Wall Mount Polish Chrome Mixing Faucet w/ Adjustable Inlet Arms & Swivel Gooseneck w/ Serrated Tip, 4-Arm Lab Handles

Drawn ARH	Checked DHL	Approved JHB
Scale: 1:4		Date: 12/20/07



T&S BRASS AND BRONZE WORKS, INC.
 2 Saddleback Cove / P.O. Box 1088
 Travelers Rest, SC 29690



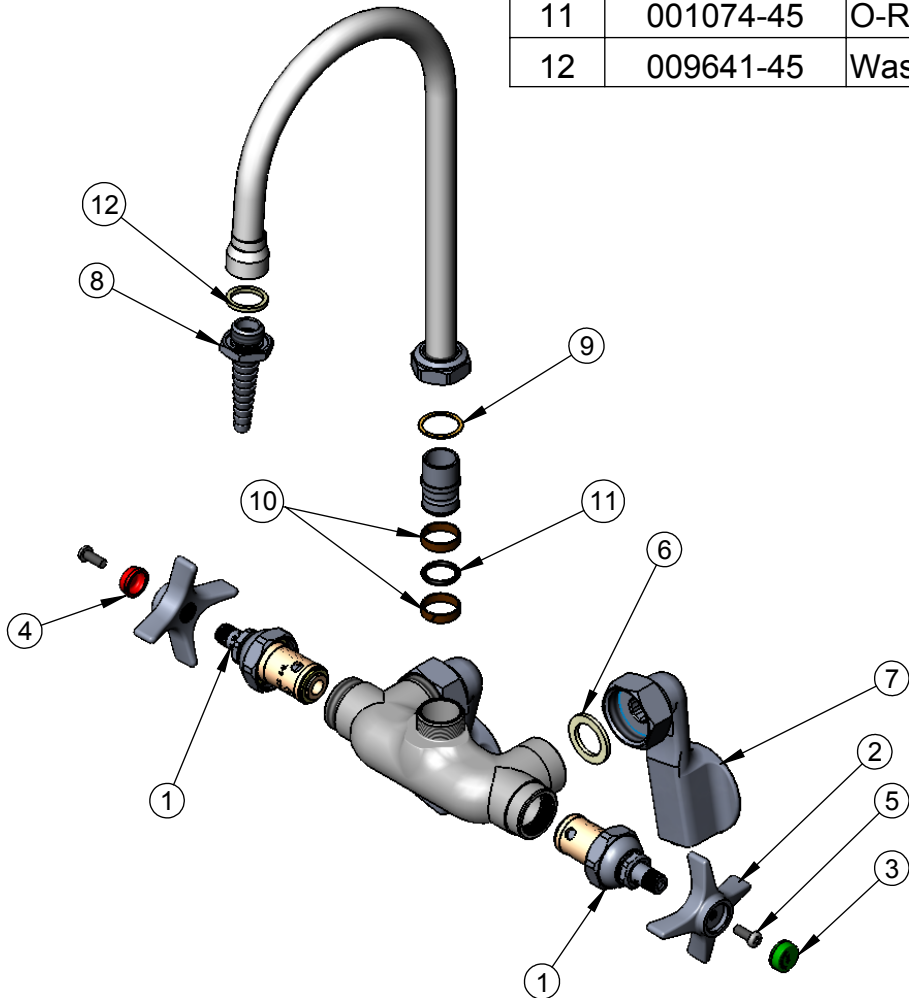
REG. #A2601
 ISO #9001

Model No.
BL-5740-03

Item No.

Travelers Rest, SC: 800-476-4103 Simi Valley, CA: 800-423-0150 Fax: 864-834-3518 www.tsbrass.com

ITEM NO.	SALES NO.	DESCRIPTION
1	005960-40	Eterna Cartridge, Hot
2	000059-40	4-Arm Lab Handle
3	001191-45	Cap, Index, Green, Cold Water
4	001194-45	Red HW Index
5	000925-45	Lab Handle Screw
6	001019-45	Washer, Coupling Nut
7	00GG	Flange Assembly, 1/2" NPT, Adjustable
8	B-0198	Hose End, Serrated, Brass, PLTD
9	009538-45	Swivel Washer
10	011429-45	Swivel Sleeves (2)
11	001074-45	O-Ring
12	009641-45	Washer, 7/8" OD X 11/16 ID X 3/32 Thick



Product Specifications:

Wall Mount Polish Chrome Mixing Faucet w/ Adjustable
 Inlet Arms & Swivel Gooseneck w/
 Serrated Tip, 4-Arm Lab Handles

Drawn ARH	Checked DHL	Approved JHB
Scale: 1:4		Date: 12/20/07