



# T&S BRASS AND BRONZE WORKS, INC.

2 Saddleback Cove / P.O. Box 1088  
Travelers Rest, SC 29690



REG. #A2601  
ISO #9001

Model No.  
**EMPV-2DLN-00**

Item No.

Travelers Rest, SC: 800-476-4103 Simi Valley, CA: 800-423-0150 Fax: 864-834-3518 www.tsbrass.com

This Space for Architect/Engineer Approval

Job Name \_\_\_\_\_ Date \_\_\_\_\_

Model Specified \_\_\_\_\_ Quantity \_\_\_\_\_

Customer/Wholesaler \_\_\_\_\_

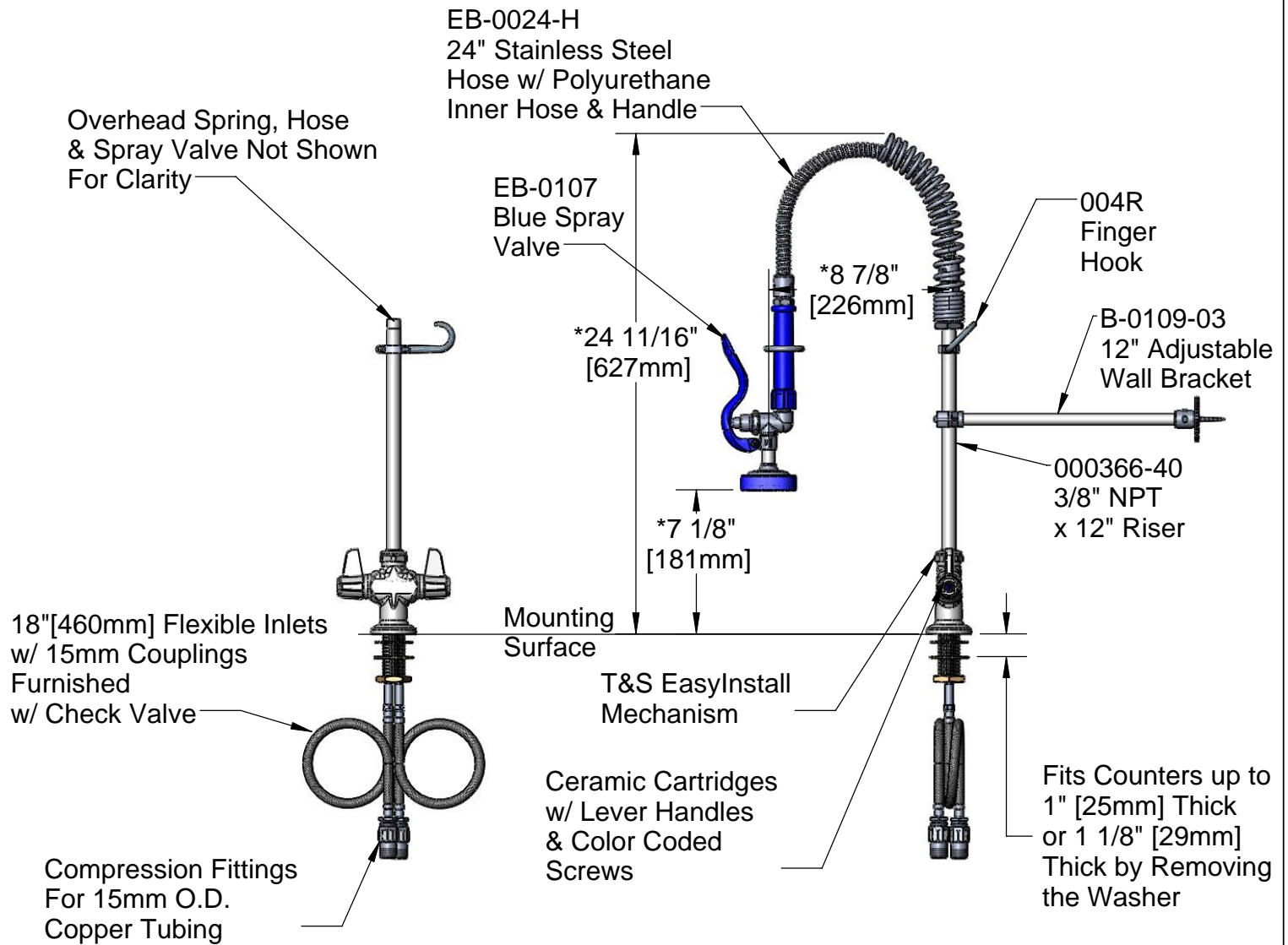
Contractor \_\_\_\_\_

Architect/Engineer \_\_\_\_\_

Note: Rough-In Requirement

Ø 1-1/2" [ Ø 38mm] Hole  
(Ø 1-1/4" [ Ø 32mm] Minimum)

EPAAct2005 Non-Compliant



\* Dimensions Will Vary ±1" Each Installation

Product Specifications:

**Easy Install Pre-Rinse Unit:  
Single Deck Mount Base Mixing Faucet,  
Compact Spring & Flex Hose, EB-0107  
Spray Valve, 12" Wall Bracket & Lever Handles**

Drawn <b>JRM</b>	Checked <b>KJG</b>	Approved <b>JHB</b>
Scale: <b>NTS</b>		Date: <b>02/16/09</b>



**T&S BRASS AND BRONZE WORKS, INC.**

2 Saddleback Cove / P.O. Box 1088  
Travelers Rest, SC 29690



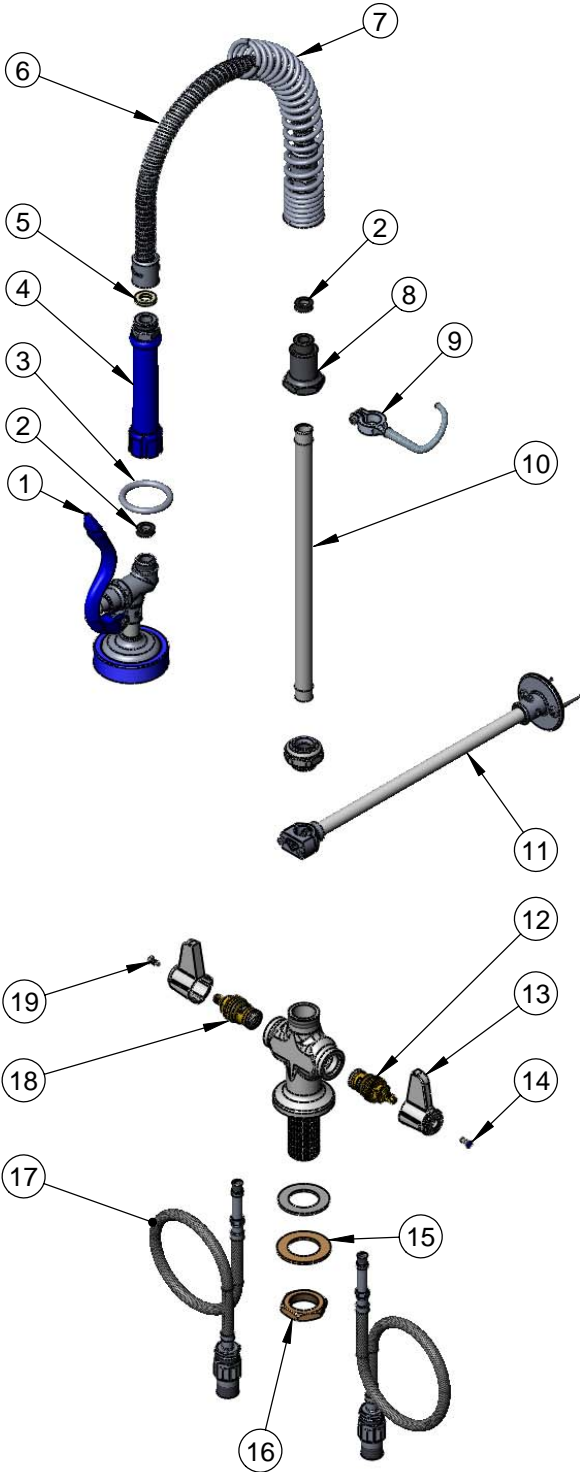
REG. #A2601  
ISO #9001

Model No.

**EMPV-2DLN-00**

Item No.

Travelers Rest, SC: 800-476-4103 Simi Valley, CA: 800-423-0150 Fax: 864-834-3518 www.tsbrass.com



ITEM NO.	SALES NO.	DESCRIPTION
1	EB-0107	Blue Spray Valve
2	010476-45	#27 Washer
3	000907-45	Hold Down Ring
4	011482-40	Blue Grip Handle Assembly
5	010475-45	Washer, B-0100 Hose Barrel
6	B-0024-H2A	24" Flex Hose Less handle
7	016795-45	Compact Pre-Rinse Spring
8	000821-40	Spring Body
9	004R	Finger Hook
10	000366-40	3/8" x 12" Riser
11	B-0109-03	Bracket Assembly, 12" Wall
12	013788-45	Ceramic Cartridge, LTC
13	E-HDL-L	EU Lever Handle & Blue/Red Screws
14	014455-45	Blue Lever Handle Screw (10 Pk)
15	002290-45	Shank Washer
16	000965-45	Shank Lock Nut
17	012436-45	15mm Flex Connector Hose
18	013787-45	Ceramic Cartridge, RTC
19	014456-45	Red Lever Handle Screw (10 Pk)

Product Specifications:

Easy Install Pre-Rinse Unit:  
Single Deck Mount Base Mixing Faucet,  
Compact Spring & Flex Hose, EB-0107  
Spray Valve, 12" Wall Bracket & Lever Handles

Drawn <b>JRM</b>	Checked <b>KJG</b>	Approved <b>JHB</b>
Scale: <b>NTS</b>		Date: <b>02/16/09</b>