



**T&S BRASS AND BRONZE WORKS, INC.**  
 2 SADDLEBACK COVE / P.O. BOX 1088 / TRAVELERS REST, SC 29690  
 PHONE 800-476-4103 FAX 864- 834-3518



Model No.

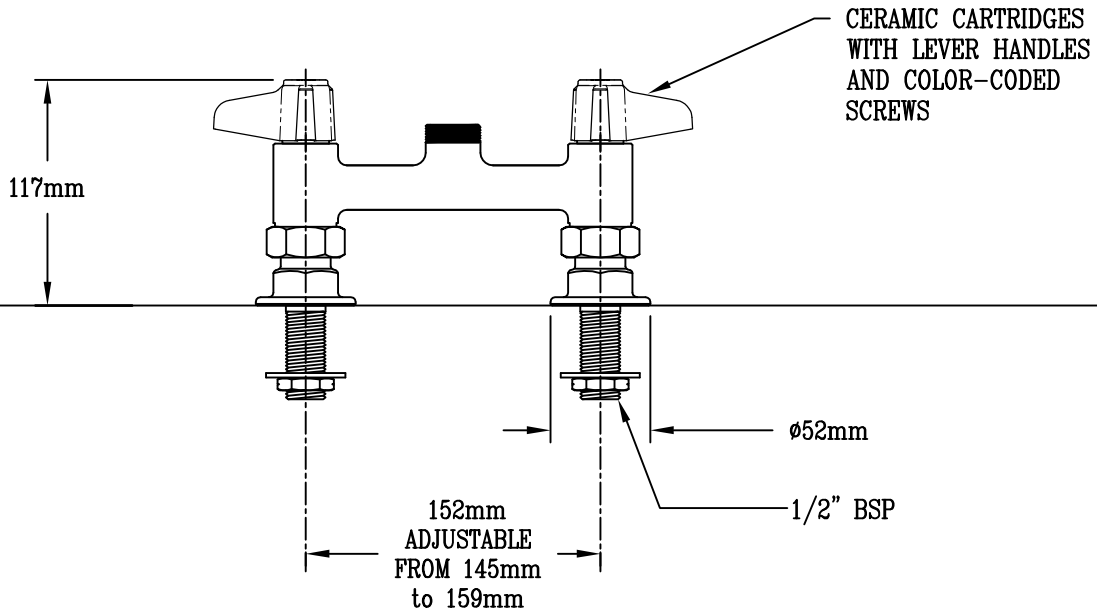
EU-6DF00

Item No.:

Job Name:

Architect/Engineer Approval:

Notes:



Product Description:  
 Pantry Faucet, Deck Mount,  
 6" c/c Inlets, 1/2" BSP Female, Less Nozzle

Drawn:

WJS

Checked

LEL

Scale:

1:2

Approved

MVW

Date:

1-03-05