

T&S BRASS AND BRONZE WORKS, INC.
 2 SADDLEBACK COVE / P.O. BOX 1088 / TRAVELERS REST, SC 29690
 PHONE 800-476-4103 - FAX 864- 834-3518



Sales No.

EW-7610

**RELIABILITY
BUILT IN**

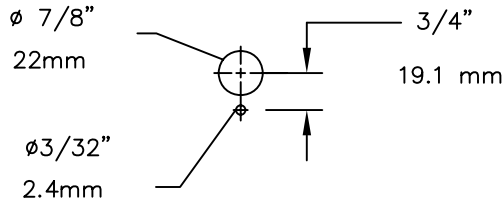
Job Name:

Architect/Engineer Approval:

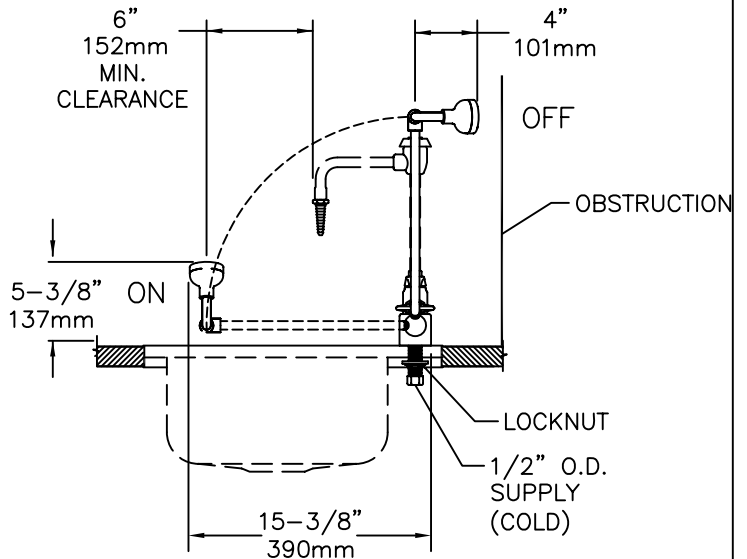
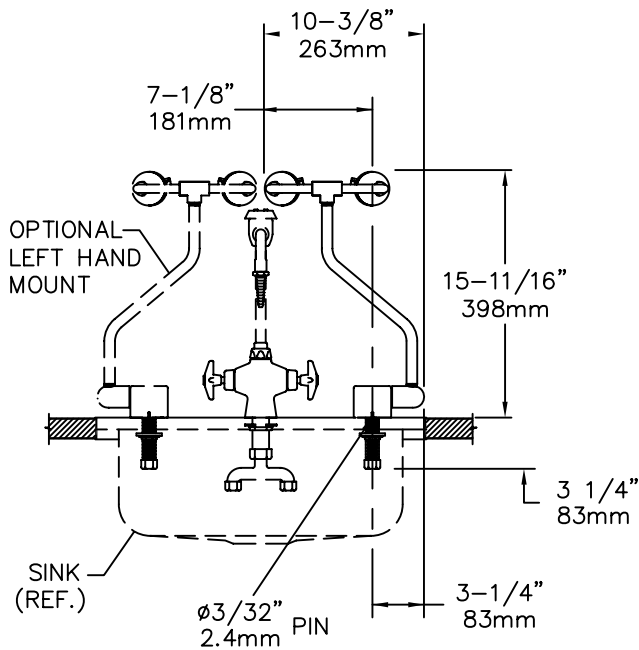
Notes:

NOTES:

1. THE ANSI STANDARD SPECIFIES EYEWASH NOZZLE HEIGHTS TO BE 33" [838mm] TO 45" [1143mm] ABOVE THE FLOOR.
2. INSTALL SO THAT EYEWASH HEADS ARE OVER SINK WHEN ACTIVATED
3. DRILL ONE $\phi 7/8"$ [22mm] HOLE WHERE UNIT IS TO BE INSTALLED. REFER TO MOUNTING HOLE DETAIL.
4. THESE DIMENSIONS MAY VARY $\pm 1/4"$ [6.4mm].



MOUNTING HOLE DETAIL



Product Description:

PULL DOWN EYEWASH,
SINK MOUNTED

Drawn:

ARH

Checked

JRM

Scale:

NTS

Approved

JHB

Date:

01/22/09