



T&S BRASS AND BRONZE WORKS, INC.
 2 SADDLEBACK COVE / P.O. BOX 1088 / TRAVELERS REST, SC 29690
 PHONE 800-476-4103 - FAX 864- 834-3518



Sales No.

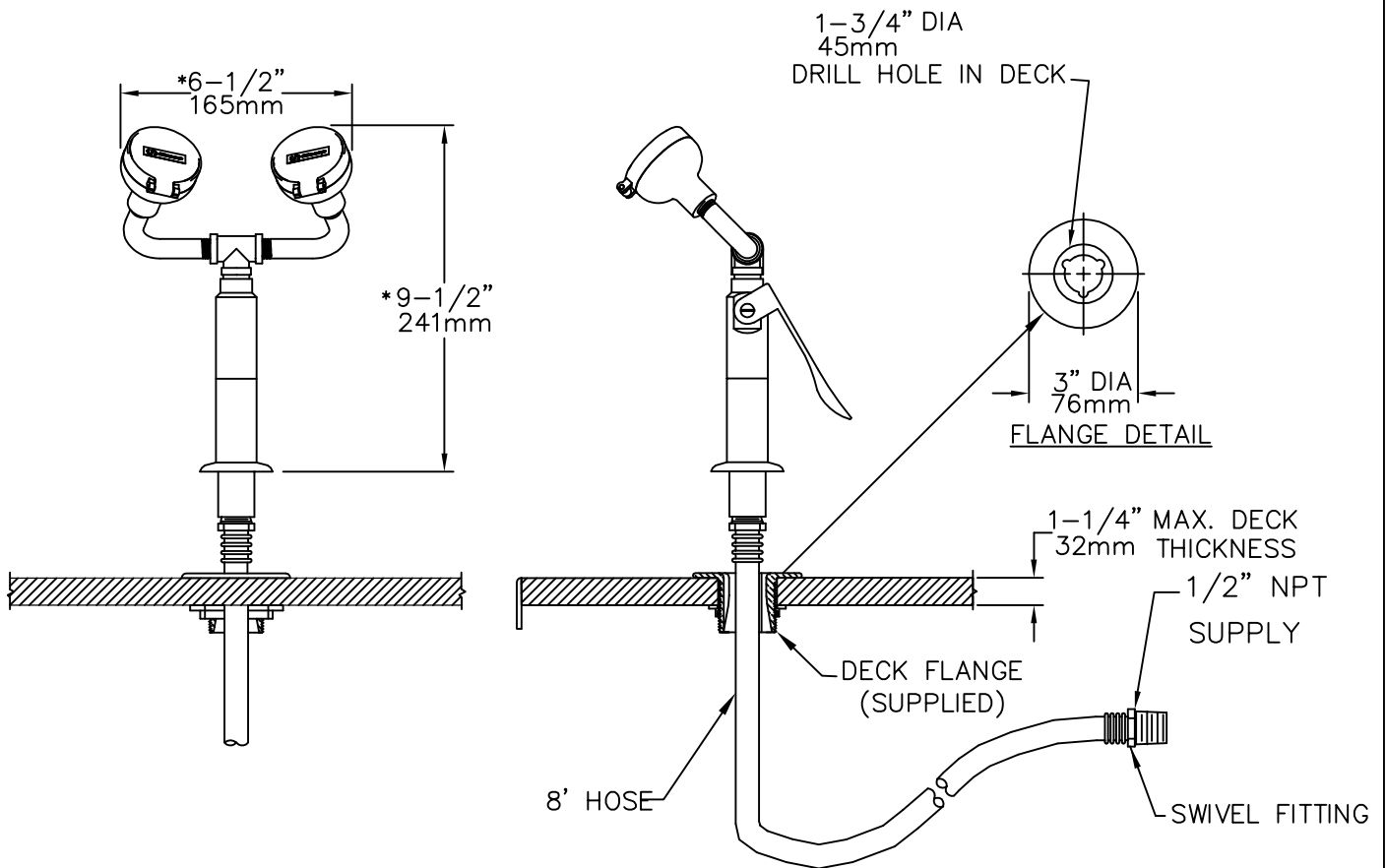
EW-8904

RELIABILITY
 BUILT IN

Job Name:

Architect/Engineer Approval:

Notes:



*THESE DIMENSIONS MAY VARY $\pm 1/2$ " (12.7mm).
 ANSI STANDARD Z358.1 APPROVED

Product Description:

EYE/FACE WASH
 BODY SPRAY

Drawn:

ARH

Checked

GEF

Scale:

1:6

Approved

JHB

Date:

12/14/07