



**T&S BRASS AND BRONZE WORKS, INC.**  
 2 SADDLEBACK COVE / P.O. BOX 1088 / TRAVELERS REST, SC 29690  
 PHONE 800-476-4103 - FAX 864- 834-3518



Sales No.

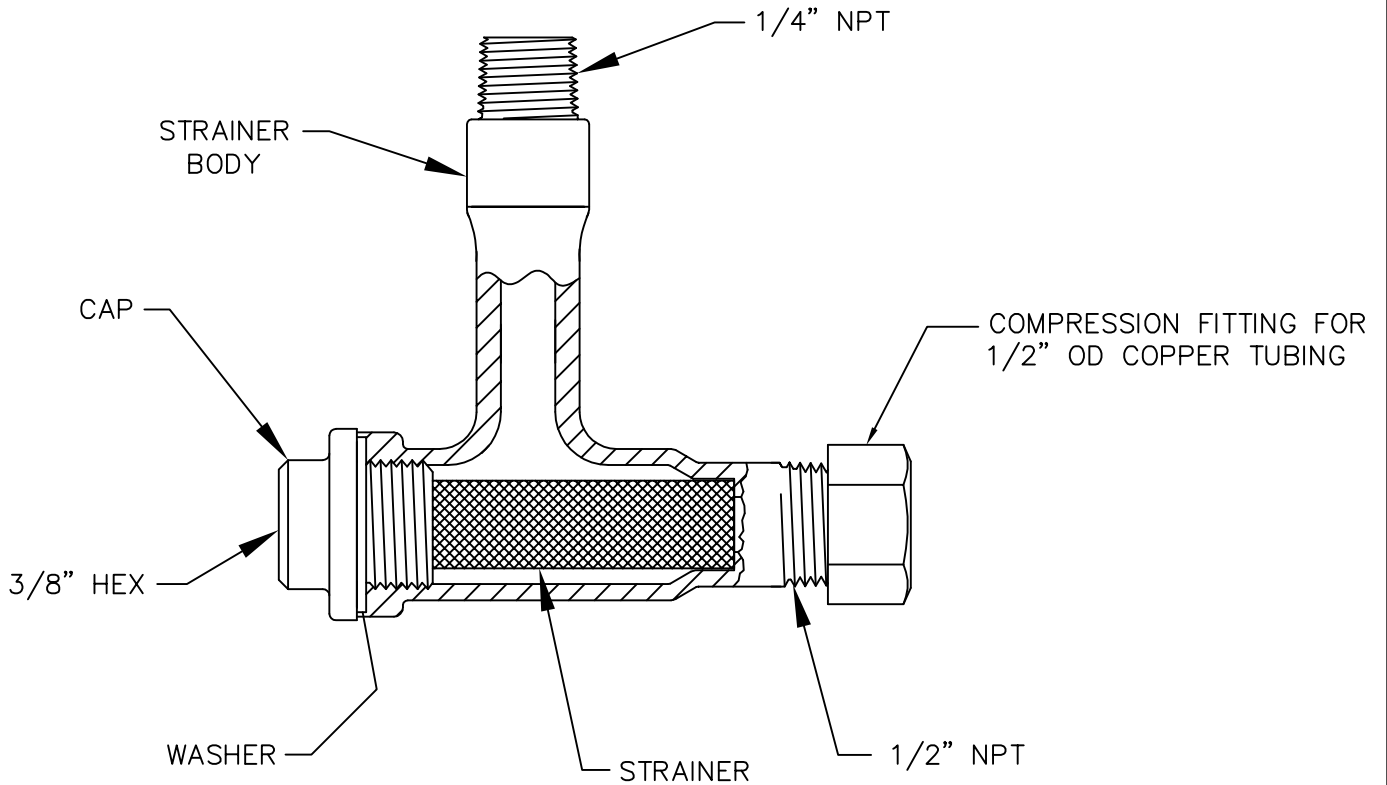
EW-SP509

RELIABILITY  
BUILT IN

Job Name:

Architect/Engineer Approval:

Notes:



FULLY SERVICEABLE IN-LINE  
50 X 50 MESH STRAINER

Product Description:

L — STRAINER

Drawn:

ARH

Checked

GEF

Scale:

1:1

Approved

JHB

Date:

12/14/07