



T&S BRASS AND BRONZE WORKS, INC.
 2 SADDLEBACK COVE / P.O. BOX 1088 / TRAVELERS REST, SC 29690
 PHONE 800-476-4103 FAX 864- 834-3518

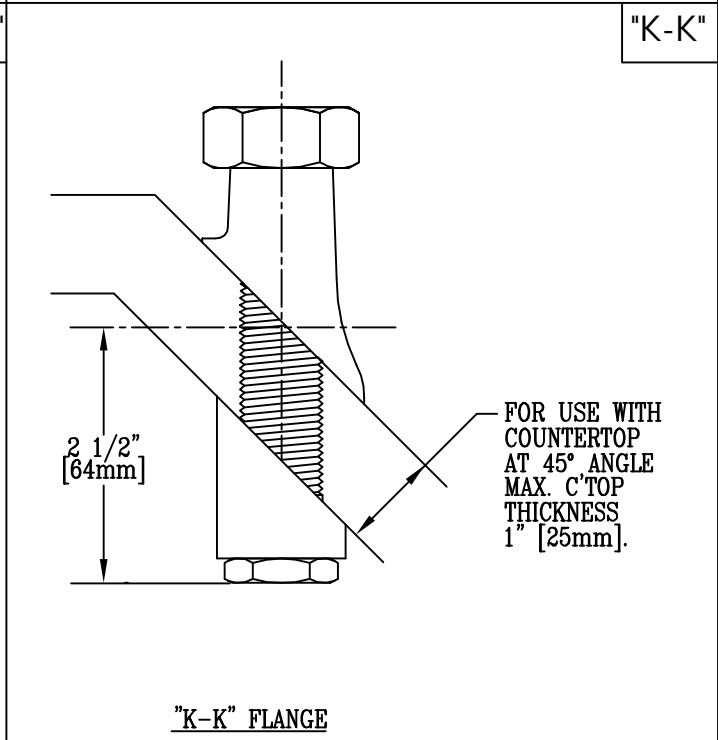
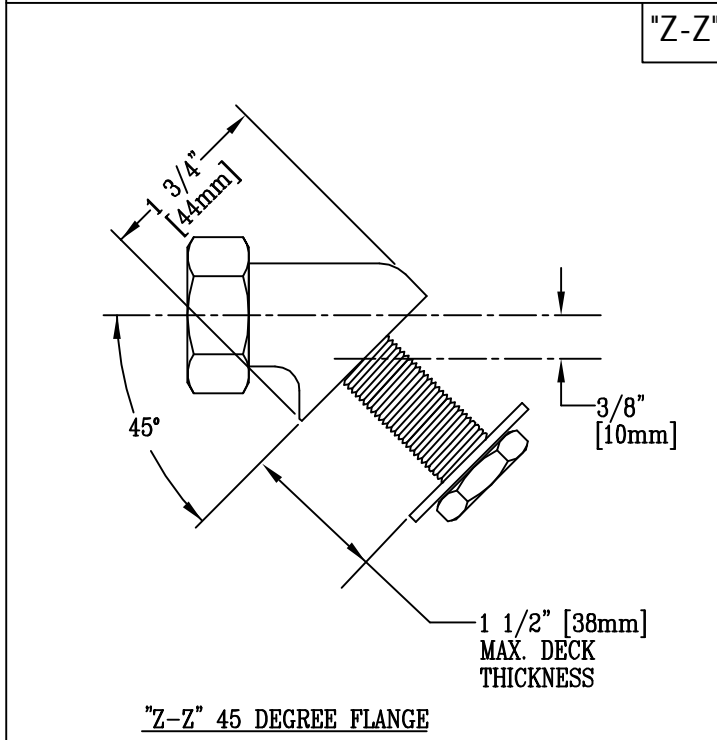
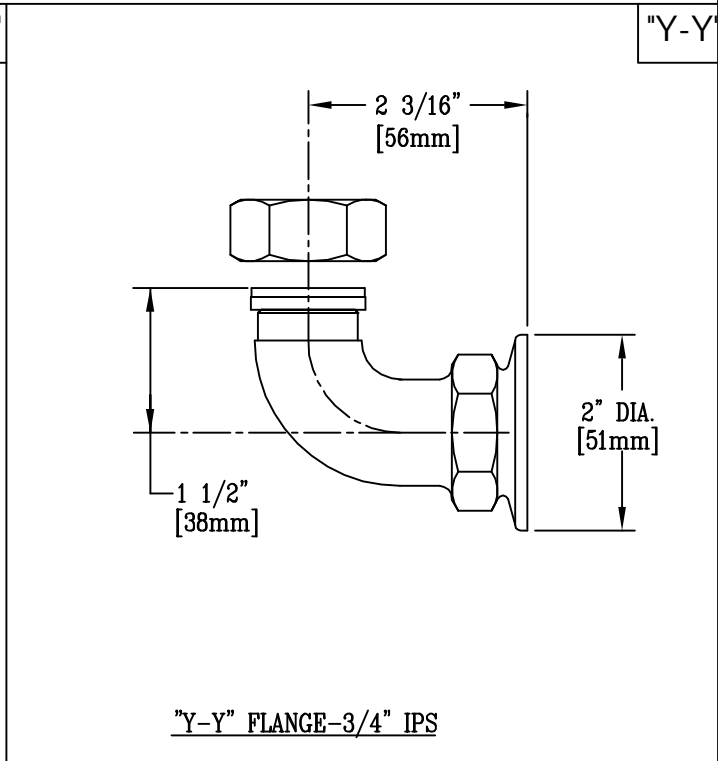
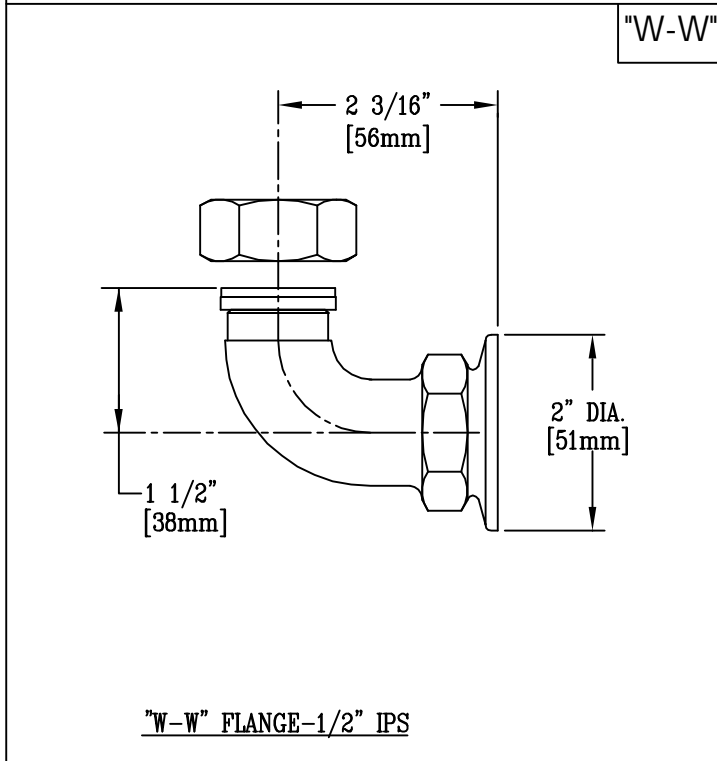


Model No.
FLANGE-2
 Item No.:

Job Name:

Architect/Engineer Approval:

Notes:



Product Description:
 T & S FLANGES: "W-W", "Y-Y", "Z-Z", "K-K".

Drawn:
 WJS
 Approved
 CA

Checked
 MWR

Scale:
 6" = 1'
 Date:
 2-15-96