



# T&S BRASS AND BRONZE WORKS, INC.

2 Saddleback Cove / P.O. Box 1088  
Travelers Rest, SC 29690



REG. #A2601  
ISO #9001

Model No.

MPZ-2DLN-06-CRP

Item No.

Travelers Rest, SC: 800-476-4103 Simi Valley, CA: 800-423-0150 Fax: 864-834-3518 www.tsbrass.com

This Space for Architect/Engineer Approval

Job Name \_\_\_\_\_ Date \_\_\_\_\_

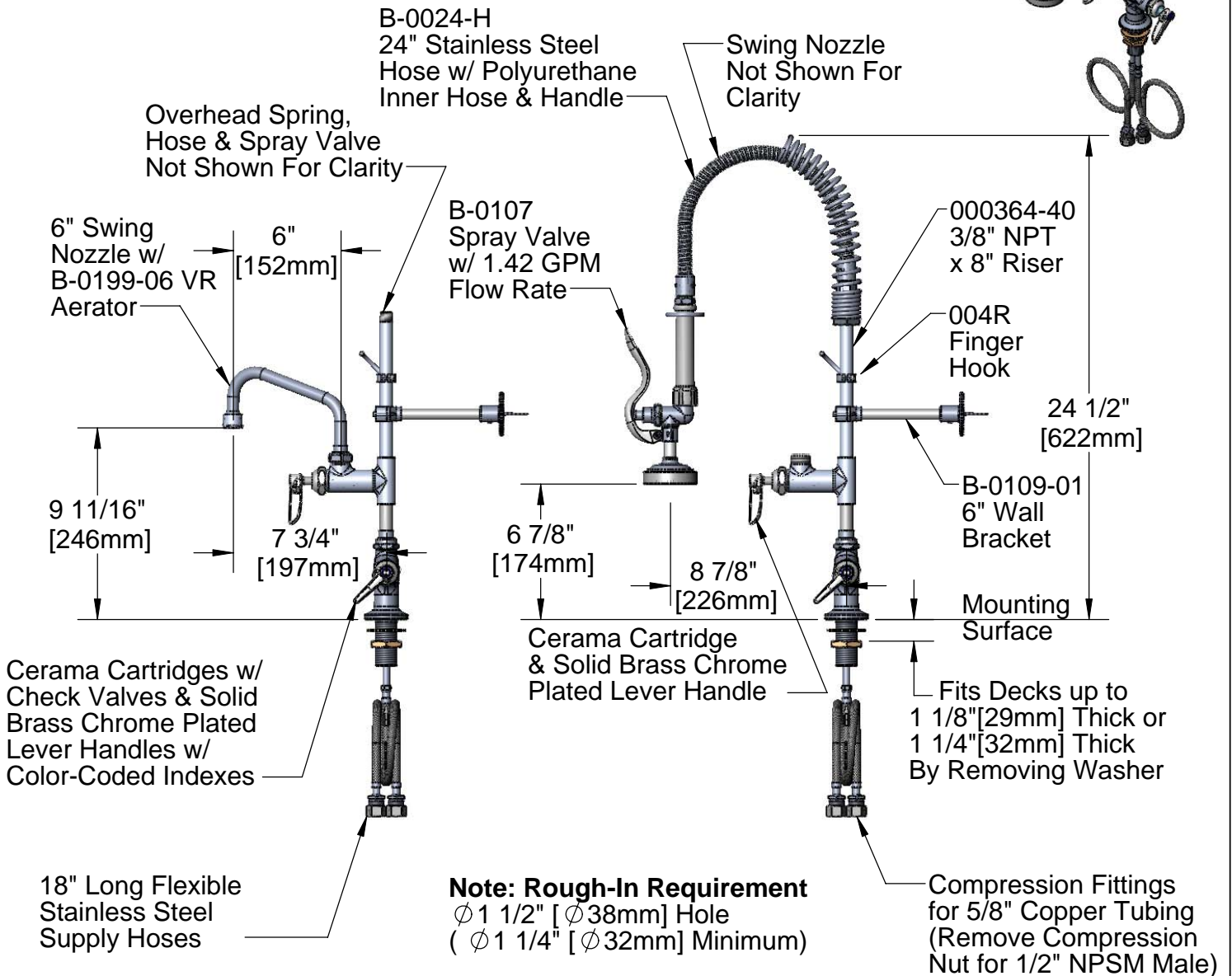
Model Specified \_\_\_\_\_ Quantity \_\_\_\_\_

Customer/Wholesaler \_\_\_\_\_

Contractor \_\_\_\_\_

Architect/Engineer \_\_\_\_\_

EPAct2005 Compliant  
For Commercial Use Only



Product Specifications:

Easy Install Pre-Rinse Unit: Single Deck Mount Base Mixing Faucet, Add-On Faucet, 6" Swing Nozzle w/ VR 2.2 GPM Aerator, Compact Spring & Flex Hose, B-0107 Spray Valve, 6" Wall Bracket, Solid Brass Chrome Plated Lever Handles w/ VR Screws & Ceramas

|               |                |                   |
|---------------|----------------|-------------------|
| Drawn<br>DHL  | Checked<br>KJG | Approved<br>JHB   |
| Scale:<br>1:8 |                | Date:<br>05/11/09 |



# T&S BRASS AND BRONZE WORKS, INC.

2 Saddleback Cove / P.O. Box 1088  
Travelers Rest, SC 29690



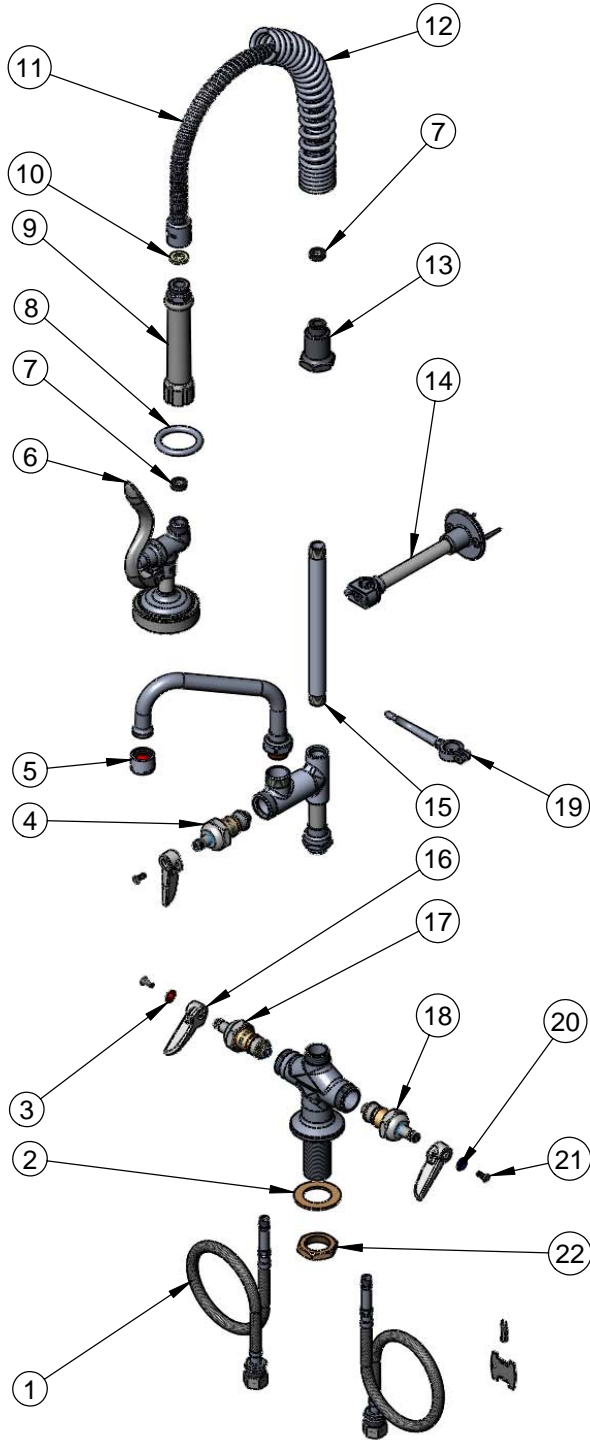
REG. #A2601  
ISO #9001

Model No.



**MPZ-2DLN-06-CRP**

Item No.

Travelers Rest, SC: 800-476-4103 Simi Valley, CA: 800-423-0150 Fax: 864-834-3518 www.tsbrass.com



| ITEM NO. | SALES NO.  | DESCRIPTION                            |
|----------|------------|----------------------------------------|
| 1        | 012534-45  | Flexible Connector Hose                |
| 2        | 002290-45  | Lock Washer                            |
| 3        | 001661-45  | Red Index-HW                           |
| 4        | 011278-25  | Ceramic Cartridge RTC                  |
| 5        | B-0199-06  | VR Aerator w/ Key                      |
| 6        | B-0107     | 1.42 GPM Spray Valve Assembly          |
| 7        | 010476-45  | #27 Washer                             |
| 8        | 000907-45  | Spray Valve Hold Down Ring             |
| 9        | 002987-40  | Handle Grip                            |
| 10       | 001014-45  | Washer, B-0100 Hose Barrel             |
| 11       | B-0024-H2A | 24" Flex Hose Less Handle              |
| 12       | 016795-45  | Compact Spring                         |
| 13       | 000821-40  | Spring Body                            |
| 14       | B-0109-01  | Bracket Assembly, 6" Wall              |
| 15       | 000364-40  | 3/8" x 8" Riser                        |
| 16       | 010027-40  | Solid Brass Chrome Plated Lever Handle |
| 17       | 012394-25  | Ceramic Cartridge, RTC w/ Check Valve  |
| 18       | 012395-25  | Ceramic Cartridge, LTC w/ Check Valve  |
| 19       | 004R       | Finger Hook Assembly                   |
| 20       | 001660-45  | Blue Index-CW                          |
| 21       | 011755-45  | VR Screw                               |
| 22       | 000965-45  | Lock Nut                               |

|                                                                                                                                                            |                                                                                                                                                        |
|------------------------------------------------------------------------------------------------------------------------------------------------------------|--------------------------------------------------------------------------------------------------------------------------------------------------------|
| <br><b>014075-45</b><br>Handle Vandal Resistant<br>Spanner Bit Supplied | <br><b>Q015425-45</b><br>Aerator Vandal Resistant<br>Key Supplied |
|------------------------------------------------------------------------------------------------------------------------------------------------------------|--------------------------------------------------------------------------------------------------------------------------------------------------------|

**Product Specifications:**

Easy Install Pre-Rinse Unit: Single Deck Mount Base Mixing Faucet, Add-On Faucet, 6" Swing Nozzle w/ VR 2.2 GPM Aerator, Compact Spring & Flex Hose, B-0107 Spray Valve, 6" Wall Bracket, Solid Brass Chrome Plated Lever Handles w/ VR Screws & Ceramas

|                      |                       |                          |
|----------------------|-----------------------|--------------------------|
| Drawn<br><b>DHL</b>  | Checked<br><b>KJG</b> | Approved<br><b>JHB</b>   |
| Scale:<br><b>NTS</b> |                       | Date:<br><b>05/11/09</b> |