



# T&S BRASS AND BRONZE WORKS, INC.

2 Saddleback Cove / P.O. Box 1088  
Travelers Rest, SC 29690



REG. #A2601  
ISO #9001

Model No.  
MPZ-8DCN-06

Item No.

Travelers Rest, SC: 800-476-4103 Simi Valley, CA: 800-423-0150 Fax: 864-834-3518 www.tsbrass.com

This Space for Architect/Engineer Approval

Job Name \_\_\_\_\_ Date \_\_\_\_\_

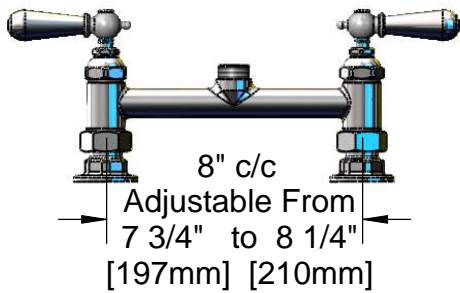
Model Specified \_\_\_\_\_ Quantity \_\_\_\_\_

Customer/Wholesaler \_\_\_\_\_

Contractor \_\_\_\_\_

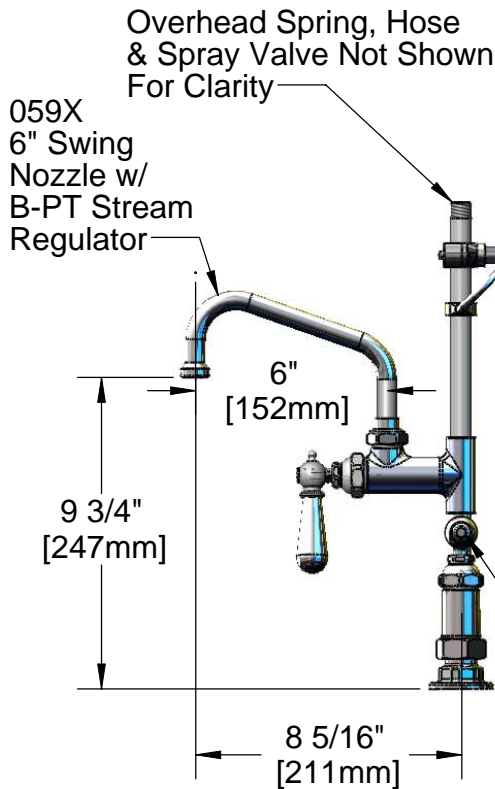
Architect/Engineer \_\_\_\_\_

EPA Act 2005 Compliant  
For Commercial Use Only

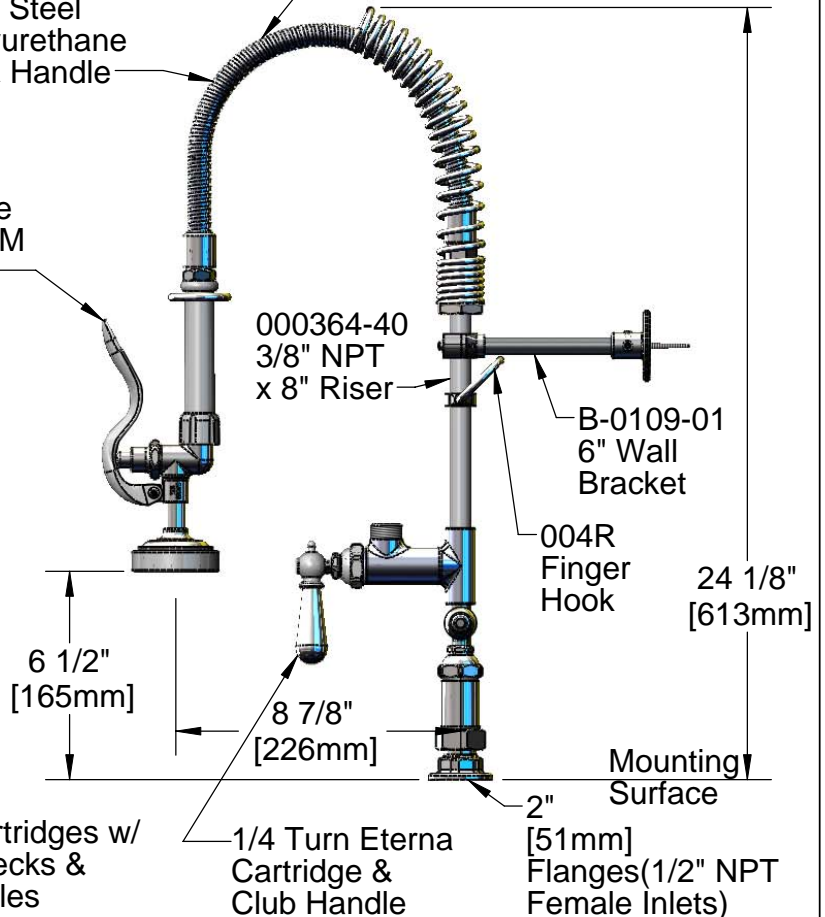


B-0024-H  
24" Stainless Steel  
Hose w/ Polyurethane  
Inner Hose & Handle

Swing Nozzle  
Not Shown For  
Clarity



B-0107  
Spray Valve  
w/ 1.42 GPM  
Flow Rate



Product Specifications:  
**Easy Install Pre-Rinse Unit:  
8" Deck Mount Mixing Faucet, Add-On Faucet,  
6" Swing Nozzle, Compact Spring & Flex Hose, B-0107  
Spray Valve, 6" Wall Bracket & Club Handles**

Drawn JRM	Checked DHL	Approved JHB
Scale: NTS		Date: 07/01/08



# T&S BRASS AND BRONZE WORKS, INC.

2 Saddleback Cove / P.O. Box 1088  
Travelers Rest, SC 29690



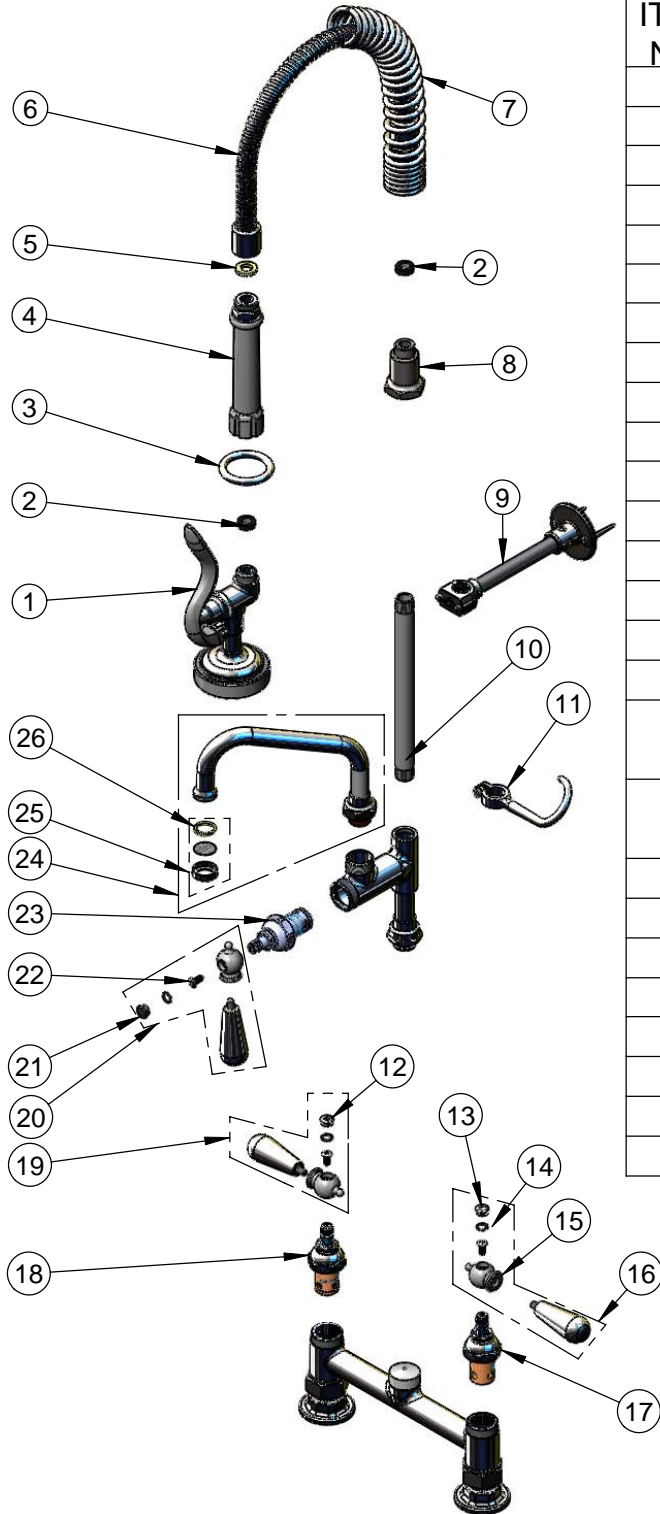
REG. #A2601  
ISO #9001

Model No.

**MPZ-8DCN-06**

Item No.

Travelers Rest, SC: 800-476-4103 Simi Valley, CA: 800-423-0150 Fax: 864-834-3518 www.tsbrass.com



ITEM NO.	SALES NO.	DESCRIPTION
1	B-0107	1.42 GPM Spray Valve
2	010476-45	#27 Washer
3	000907-45	Spray Valve Hold Down Ring
4	002987-40	Grip Handle Assembly
5	010475-45	Washer, B-0100 Hose Barrel
6	B-0024-H2A	24" Flex Hose Less handle
7	016795-45	Compact Spring
8	000821-40	Spring Body
9	B-0109-01	Bracket Assembly, 6" Wall
10	000364-40	3/8" x 8" Riser
11	004R	Finger Hook Assembly
12	009303-41	Decorative Cap Insert, Hot
13	009304-41	Decorative Insert (Cold)
14	001066-45	O-Ring
15	009181-41	Lever Handle Mount
16	009331-41	Decorative Club Asm, Cold
17	012442-40	Cold Eterna Spindle Assembly w/ Spring Check
18	012443-40	Hot Eterna Spindle Assembly w/ Spring Check
19	009332-41	Decorative Club Asm, Hot
20	017181-41	Decorative Club Asm, Blank
21	009285-40	Cap Insert Blank
22	000922-45	Lever Handle Screw
23	007947-40	Quarter Turn Spindle Assembly
24	059X	6" Swing Nozzle
25	B-PT	Stream Regulator Outlet
26	001048-45	Nozzle Tip Washer

**Product Specifications:**

Easy Install Pre-Rinse Unit:  
8" Deck Mount Mixing Faucet, Add-On Faucet,  
6" Swing Nozzle, Compact Spring & Flex Hose, B-0107  
Spray Valve, 6" Wall Bracket & Club Handles

Drawn <b>JRM</b>	Checked <b>DHL</b>	Approved <b>JHB</b>
Scale: <b>NTS</b>		Date: <b>07/01/08</b>