



**T&S BRASS AND BRONZE WORKS, INC.**

2 Saddleback Cove / P.O. Box 1088  
Travelers Rest, SC 29690



REG. #A2601  
ISO #9001

Model No.  
**MPZ-8WLN-08-CR**

Item No.

Travelers Rest, SC: 800-476-4103 Simi Valley, CA: 800-423-0150 Fax: 864-834-3518 www.tsbrass.com

This Space for Architect/Engineer Approval

Job Name \_\_\_\_\_ Date \_\_\_\_\_

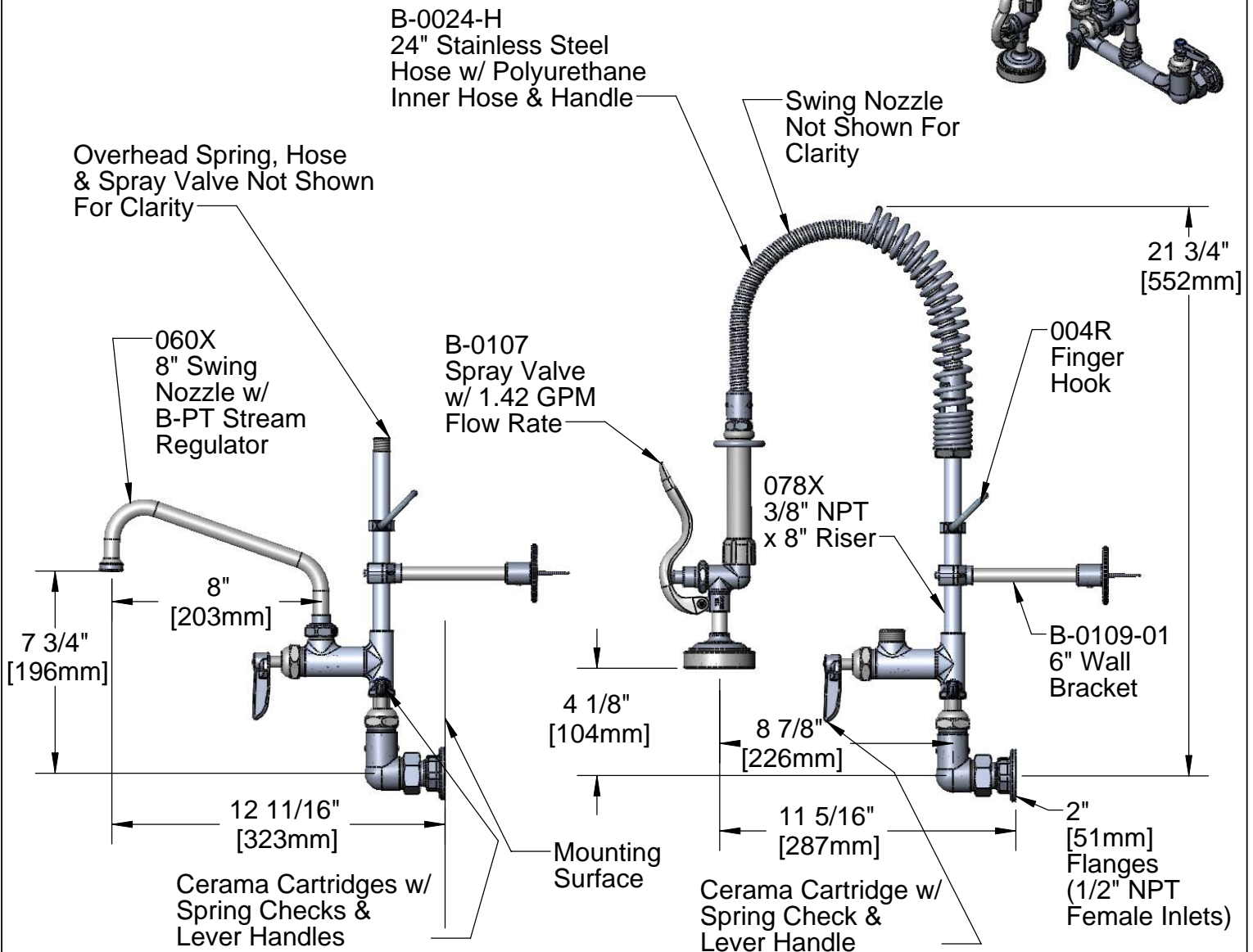
Model Specified \_\_\_\_\_ Quantity \_\_\_\_\_

Customer/Wholesaler \_\_\_\_\_

Contractor \_\_\_\_\_

Architect/Engineer \_\_\_\_\_

EPAct2005 Compliant  
For Commercial Use Only



Product Specifications:  
**Easy Install Pre-Rinse Unit:  
8" Wall Mount Mixing Faucet w/ Ceramas, Add-On Faucet,  
8" Swing Nozzle, Compact Spring & Flex Hose, B-0107  
Spray Valve, 6" Wall Bracket & Lever Handles**

Drawn JRM	Checked DMH	Approved JHB
Scale: NTS		Date: 02/2/09



**T&S BRASS AND BRONZE WORKS, INC.**

2 Saddleback Cove / P.O. Box 1088  
Travelers Rest, SC 29690



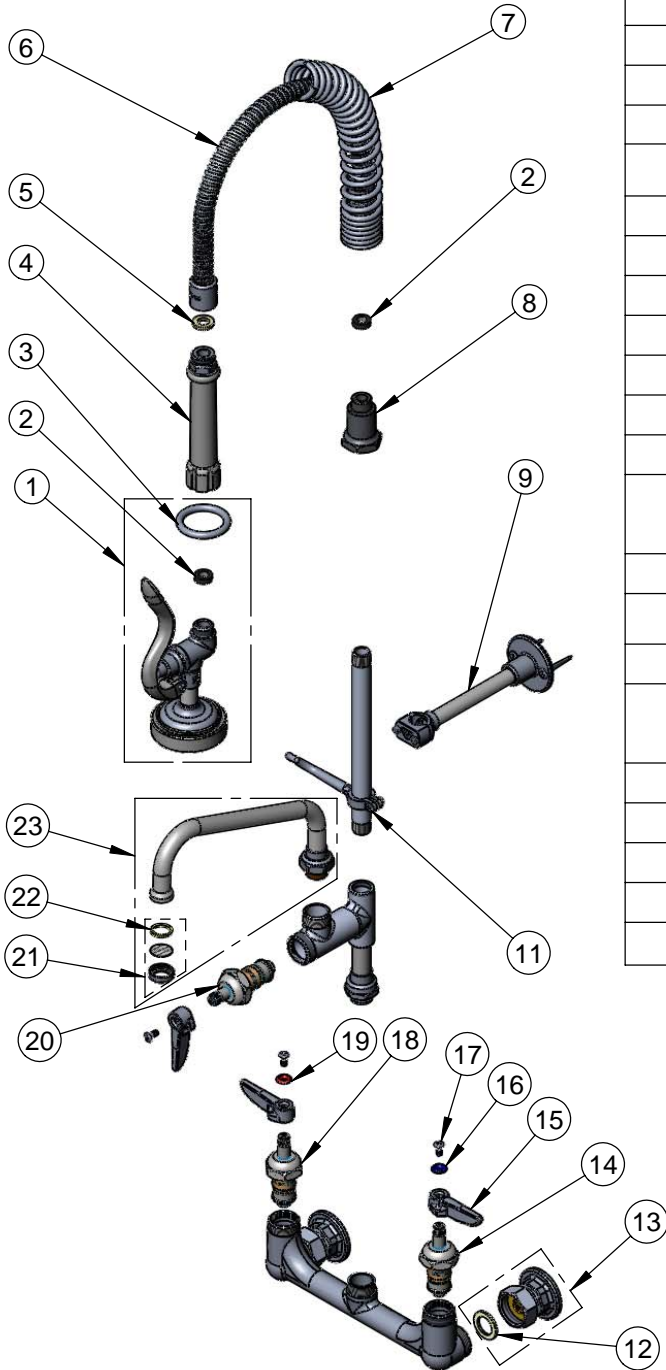
REG. #A2601  
ISO #9001

Model No.

**MPZ-8WLN-08-CR**

Item No.

Travelers Rest, SC: 800-476-4103 Simi Valley, CA: 800-423-0150 Fax: 864-834-3518 www.tsbrass.com



ITEM NO.	SALES NO.	DESCRIPTION
1	B-0107	1.42 GPM Spray Valve
2	010476-45	#27 Washer
3	000907-45	Hold Down Ring
4	002987-40	Grip Handle Assembly
5	001014-45	Washer, B-0100 Hose Barrel
6	B-0024-H2A	24" Flex Hose Less Handle
7	016795-45	Compact Pre-Rinse Spring
8	000821-40	Spring Body
9	B-0109-01	Bracket Assembly, 6" Wall
10	004R	Finger Hook
11	078X	3/8" x 8" Riser
12	001019-45	Coupling Nut Washer
13	00AA	00AA Flange Assembly
14	011312-25	Ceramic Cartridge, LTC w/ Check Valve
15	001638-45	Lever handle
16	001660-45	Cold, Index Button
17	000922-45	Screw, Lever
18	011311-25	Ceramic Cartridge, RTC w/ Check Valve
19	001661-45	Hot, Index Button
20	011278-25	Ceramic Cartridge RTC
21	B-PT	Stream Regulator Outlet
22	001038-45	Nozzle Tip Washer
23	060X	060X Swing Nozzle Asm

Product Specifications:

Easy Install Pre-Rinse Unit:  
8" Wall Mount Mixing Faucet w/ Ceramas, Add-On Faucet,  
8" Swing Nozzle, Compact Spring & Flex Hose, B-0107  
Spray Valve, 6" Wall Bracket & Lever Handles

Drawn <b>JRM</b>	Checked <b>DMH</b>	Approved <b>JHB</b>
Scale: <b>NTS</b>		Date: <b>02/2/09</b>