



**T&S BRASS AND BRONZE WORKS, INC.**  
 2 SADDLEBACK COVE / P.O. BOX 1088 / TRAVELERS REST, SC 29690  
 PHONE 800-476-4103 - FAX 864- 834-3518



Model No.

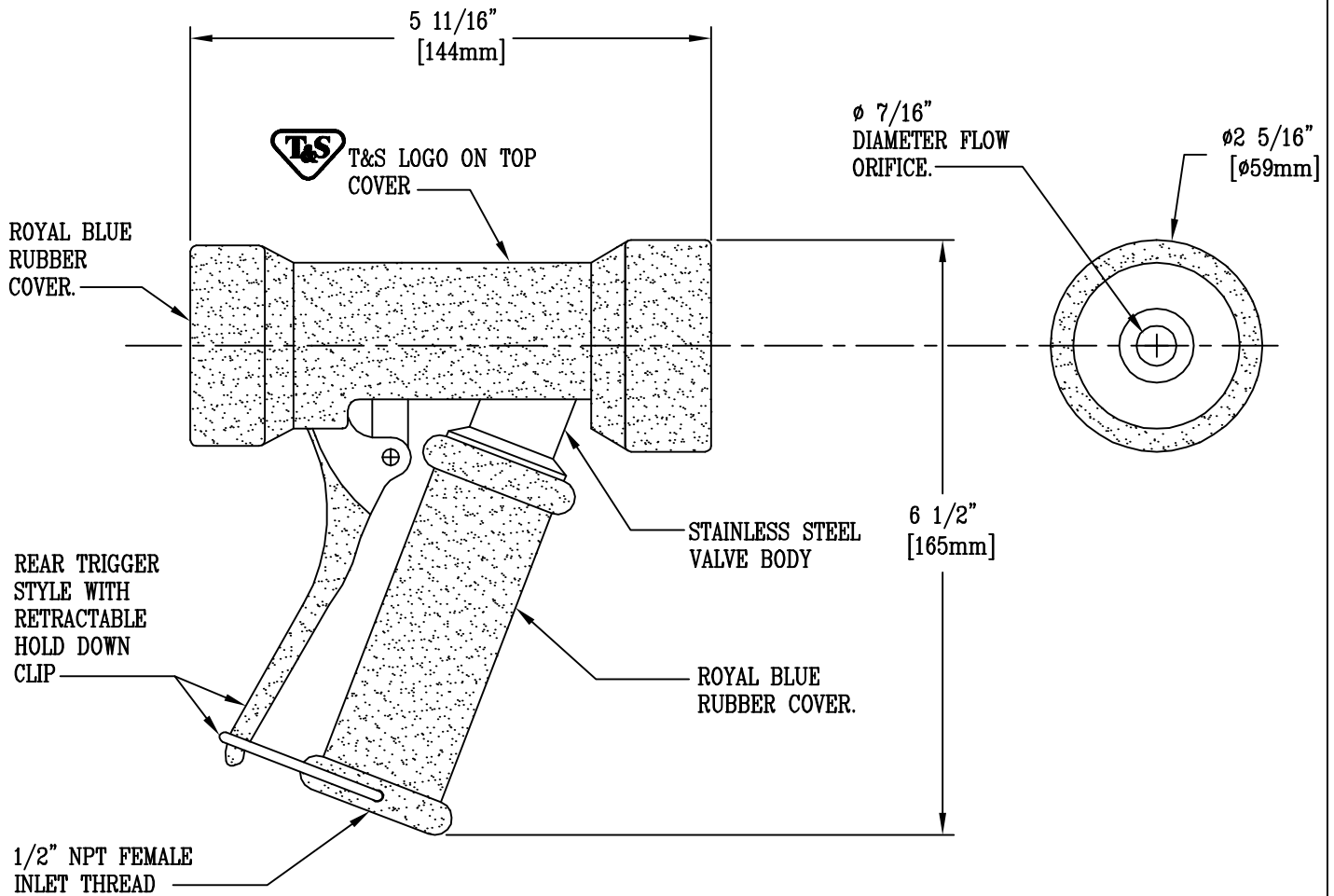
MV-2516-34

**RELIABILITY  
 BUILT IN**

Job Name:

Architect/Engineer Approval:

Notes:



Product Description:

STAINLESS STEEL WATER GUN, REAR TRIGGER,  
 7/16" FLOW ORIFICE, RUBBER COVER.

Drawn:

LEL

Approved

MVW

Checked

JKD

Scale:

1 : 2

Date:

12/12/02