



T&S BRASS AND BRONZE WORKS, INC.

2 SADDLEBACK COVE / P.O. BOX 1088 / TRAVELERS REST, SC 29690

PHONE 800-476-4103

FAX 864- 834-3518



REG.#A2601
ISO #9001

Model No.

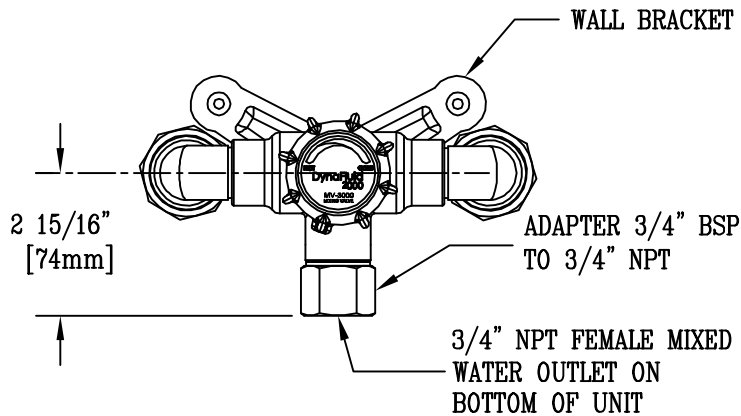
MV-3000-N

Item No.:

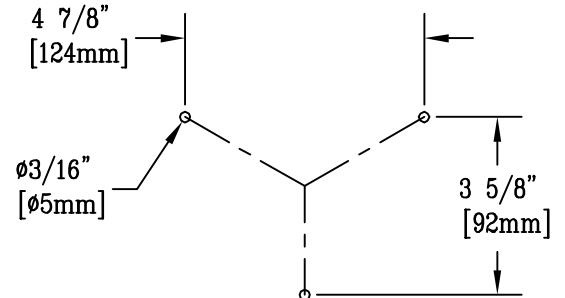
Job Name:

Architect/Engineer Approval:

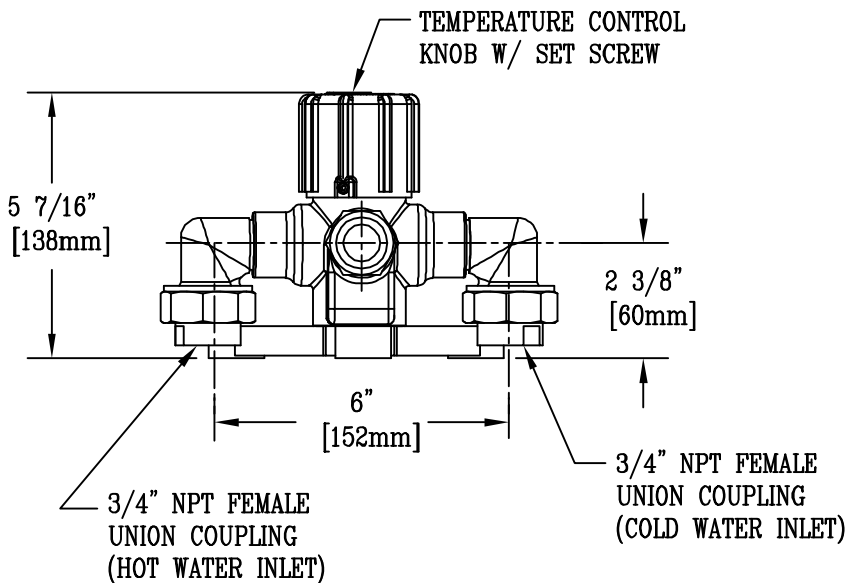
Notes:



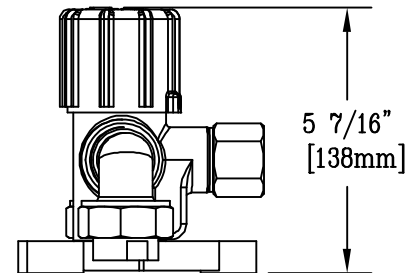
TOP VIEW



VALVE MOUNTING BRACKET DETAIL



FRONT VIEW



SIDE VIEW

NOTES:

1. MINIMUM OPERATING PRESSURE: 7 PSI
2. MAXIMUM OPERATING PRESSURE: 90 PSI
3. MAXIMUM STATIC PRESSURE: 150 PSI

Product Description:
THERMOSTATIC MIXING VALVE WITH
3/4" INLETS & OUTLET, NATURAL FINISH

Drawn:

TEH

Approved

JKD

Checked

JKD

Scale:

4" = 1"

Date:

06/12/01