



T&S BRASS AND BRONZE WORKS, INC.
 2 SADDLEBACK COVE / P.O. BOX 1088 / TRAVELERS REST, SC 29690
 PHONE 800-476-4103 FAX 803- 834-3518



Model No.

SUPPLY NIPPLES

Item No.:

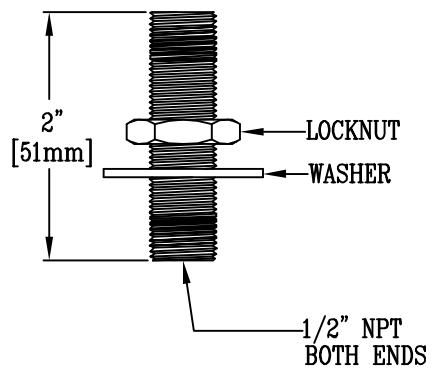
REG. #A2601
ISO #9002

Job Name:

Architect/Engineer Approval:

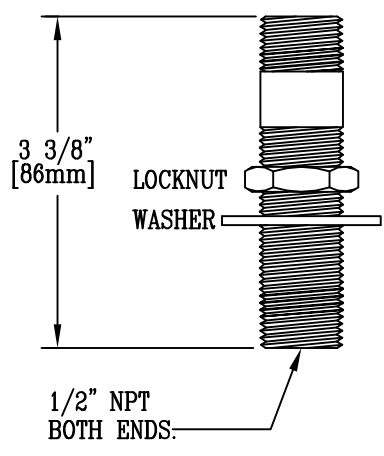
Notes:

B-425



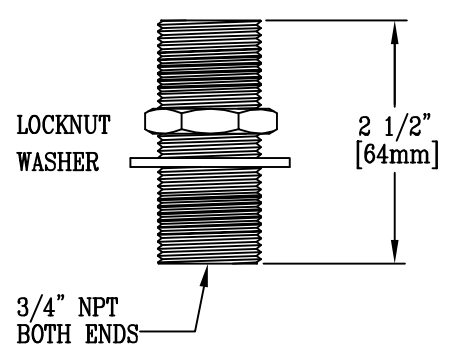
B-425 1/2" NPT SUPPLY NIPPLE

B-426



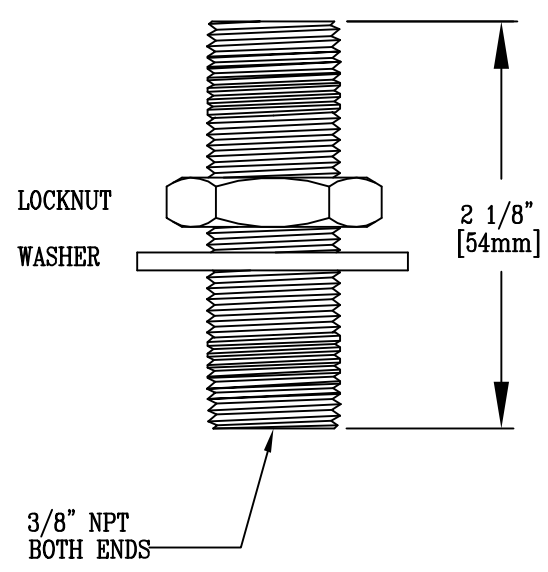
B-426 1/2" NPT SUPPLY NIPPLE

B-427



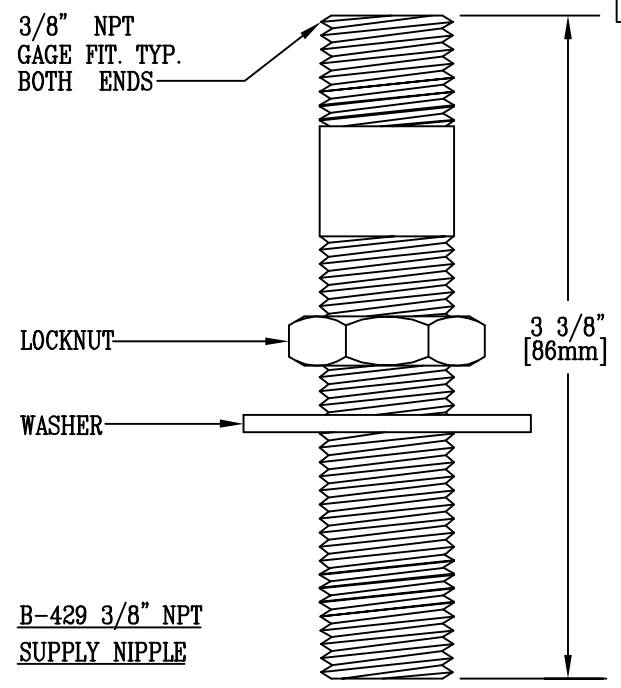
B-427 3/4" NPT SUPPLY NIPPLE

B-428



B-428 INLET EXTENSION

B-429



B-429 3/8" NPT SUPPLY NIPPLE

Product Description:

SUPPLY NIPPLES :

B-0425, B-0426, B-0427, B-0428, B-0429

Drawn:

WJS

Approved

CA

Checked

MWR

Scale:

6" = 1'

Date:

12/15/95