



T&S BRASS AND BRONZE WORKS, INC.
 2 SADDLEBACK COVE / P.O. BOX 1088 / TRAVELERS REST, SC 29690
 PHONE 800-476-4103 - FAX 864- 834-3518



Model No.

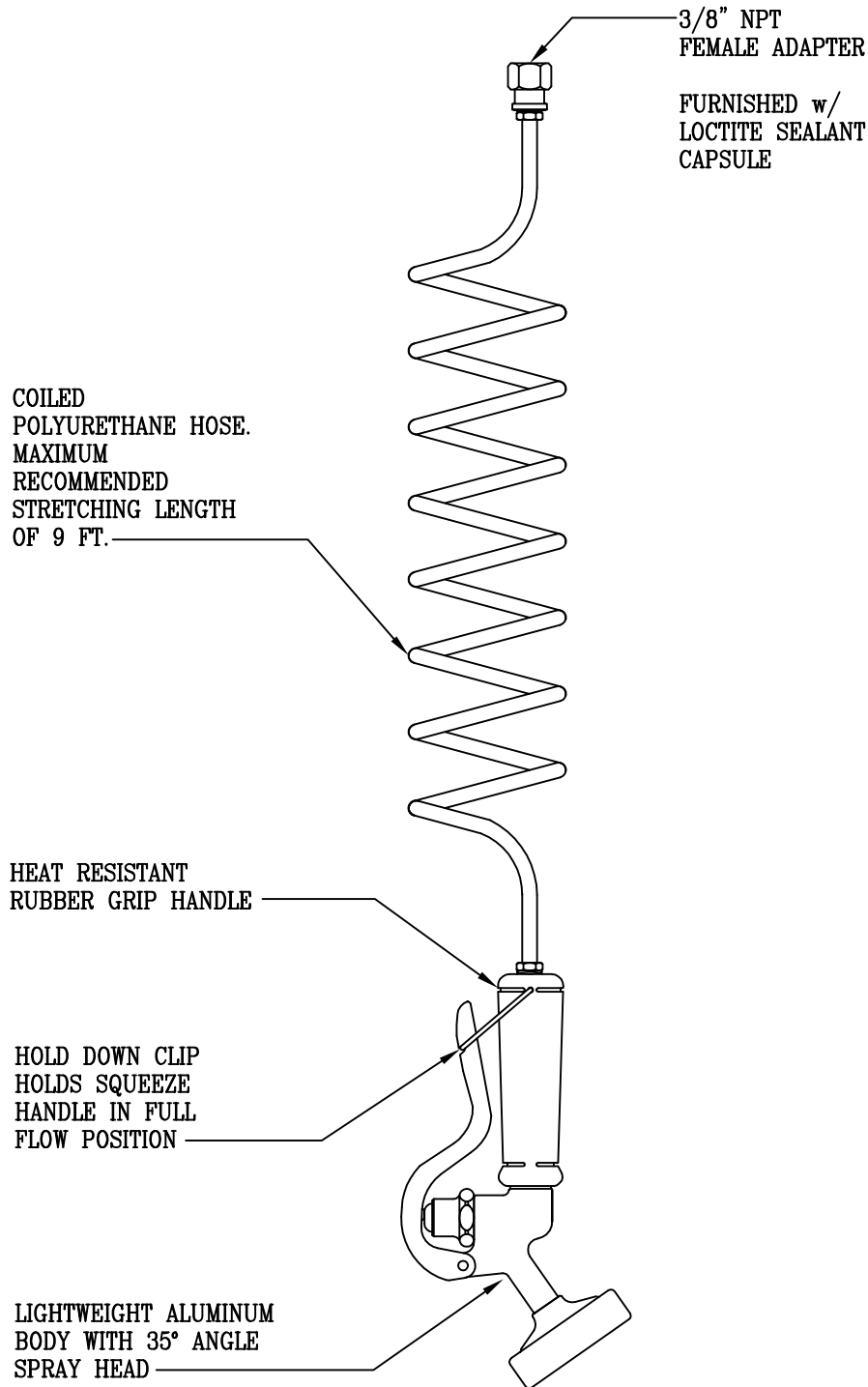
PG-35AV-CH02

**RELIABILITY
BUILT IN**

Job Name:

Architect/Engineer Approval:

Notes:



Product Description:

ALUMINUM ANGLE SPRAY VALVE
 WITH COILED POLYURETHANE SUPPLY HOSE
 AND ADAPTER FOR ATTACHMENT TO 3/8" NPT MALE THREAD

Drawn:

WJS

Checked

JRM

Scale:

1 : 4

Approved

JHB

Date:

06/09/06