



T&S BRASS AND BRONZE WORKS, INC.
 2 SADDLEBACK COVE / P.O. BOX 1088 / TRAVELERS REST, SC 29690
 PHONE 800-476-4103 FAX 864- 834-3518



Model No.

PG-35AV-VH06

Item No.:

Job Name:

Architect/Engineer Approval:

Notes:

FURNISHED
w/ 1/4" &
1/8" NPT
ADAPTERS



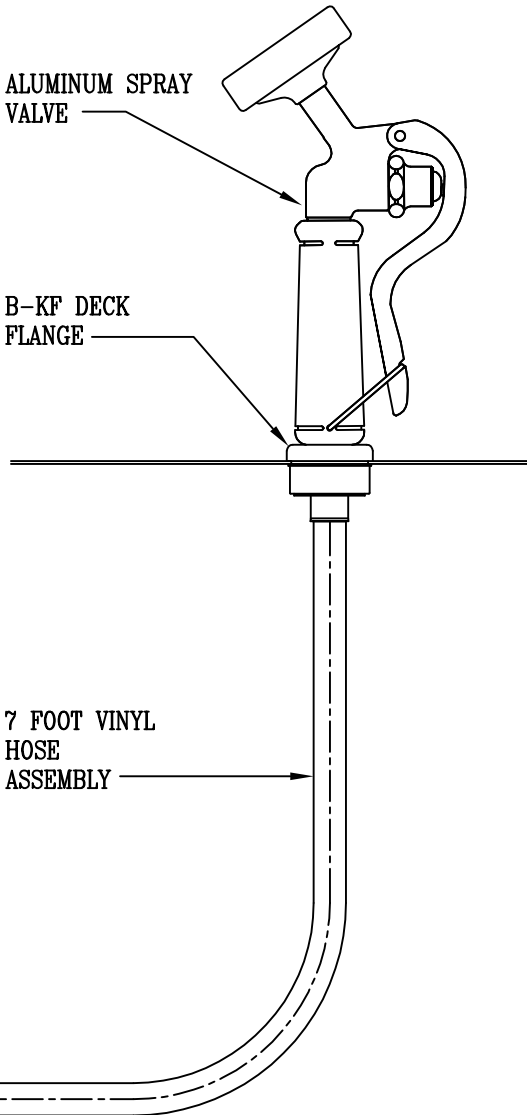
HOSE ACCEPTS EITHER
OF THE (2) ABOVE
ADAPTERS



ALUMINUM SPRAY
VALVE

B-KF DECK
FLANGE

7 FOOT VINYL
HOSE
ASSEMBLY



Product Description:

7 FOOT VINYL HOSE & ALUMINUM SPRAY VALVE
WITH PROTECTIVE DECK FLANGE

Drawn:

WJS

Approved

JHB

Checked

JHB

Scale:

1 : 4

Date:

12/14/05