



# T&S BRASS AND BRONZE WORKS, INC.

2 SADDLEBACK COVE / P.O. BOX 1088 / TRAVELERS REST, SC 29690

PHONE 800-476-4103

FAX 864-834-3518



Model No.

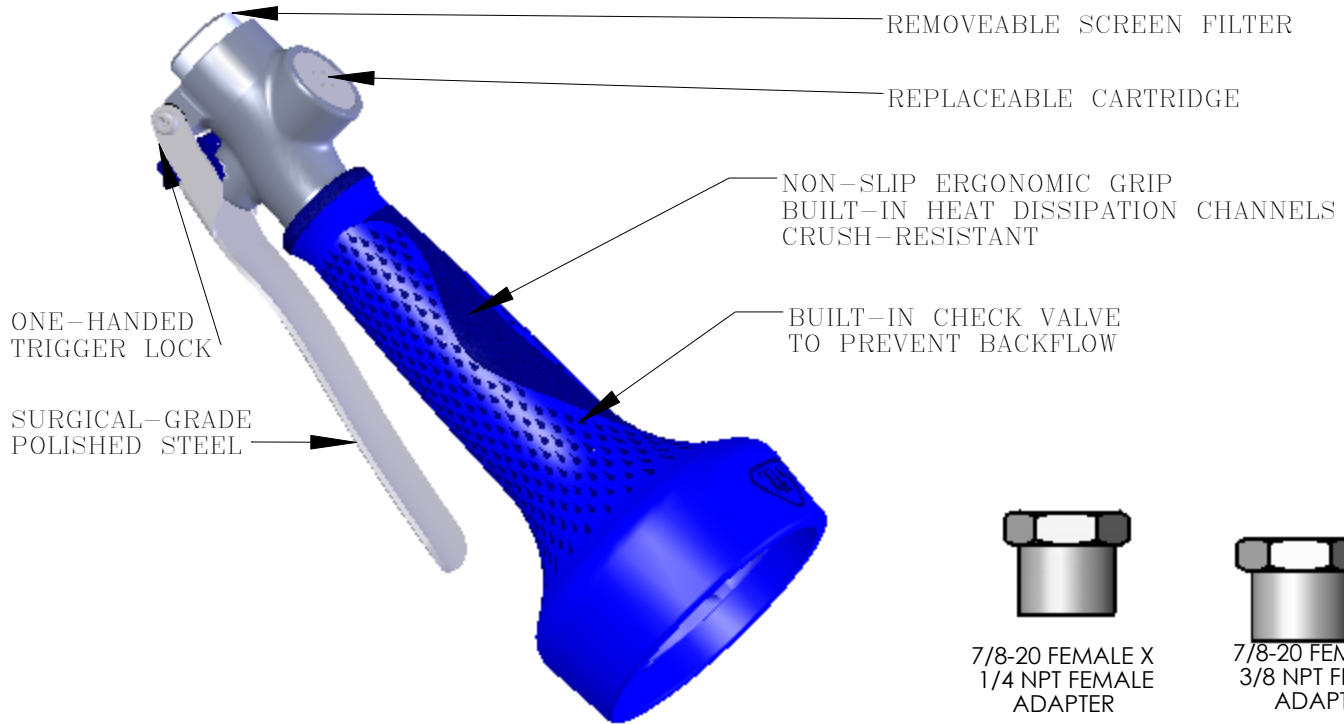
**PJ-0108-H**

Item No.

Job Name:

Architect/Engineer Approval:

Notes:

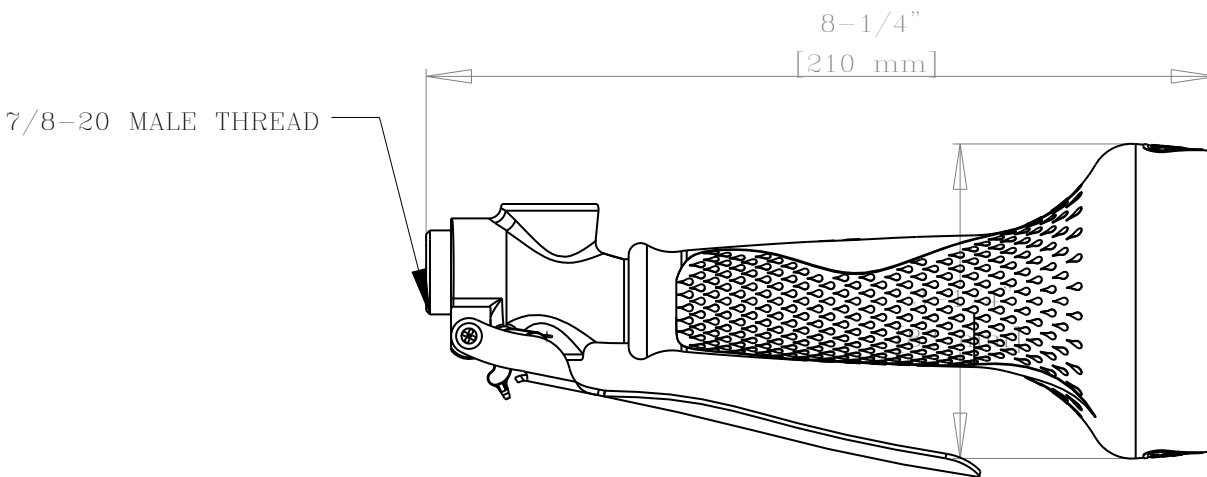


7/8-20 FEMALE X  
1/4 NPT FEMALE  
ADAPTER



7/8-20 FEMALE X  
3/8 NPT FEMALE  
ADAPTER

010475-45 FACE SEAL INCLUDED(1)



Product Description:

PET GROOMING HIGH FLOW SPRAY VALVE w/ NEW ERGO-GRIP, REPLACEABLE SPRAY FACE, & INTEGRATED ONE-HANDED TRIGGER LOCK

Drawn:

WJS

Checked:

JRM

Scale:

1:1

Approved:

JHB

Date:

08/09/06