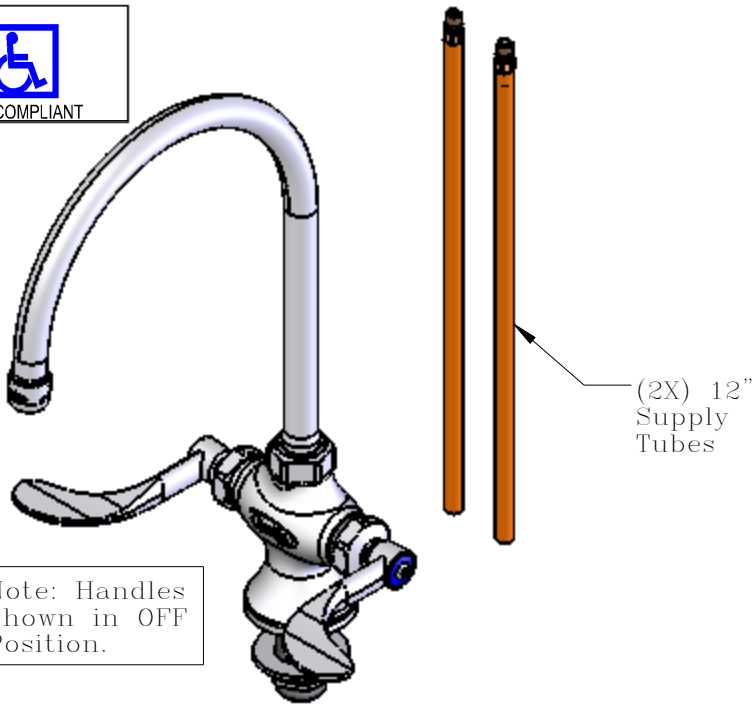




ADA COMPLIANT



(2X) 12" Supply Tubes

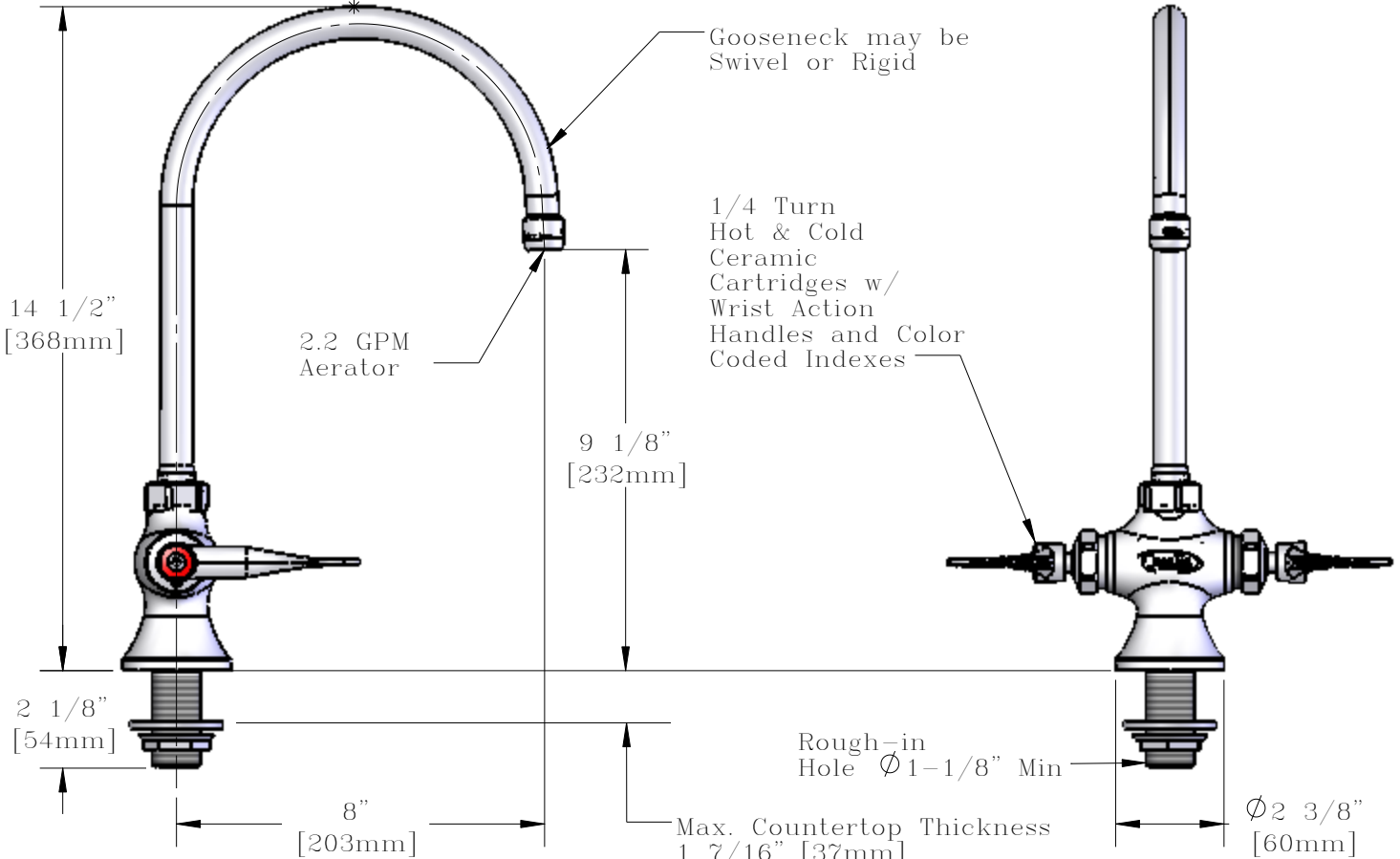
Note: Handles Shown in OFF Position.

This Space for Architect/Engineer Approval

Job Name \_\_\_\_\_ Date \_\_\_\_\_  
Model Specified \_\_\_\_\_ Quantity \_\_\_\_\_  
Customer/Wholesaler \_\_\_\_\_  
Contractor \_\_\_\_\_  
Architect/Engineer \_\_\_\_\_

Available Options

Model Suffix #	Description
<input type="checkbox"/> -5A	2.2 GPM VR Aerator
<input type="checkbox"/> -5B	0.5 GPM Aerator
<input type="checkbox"/> -5C	0.5 GPM VR Aerator
<input type="checkbox"/> -5D	2.2 GPM Laminar Flow
<input type="checkbox"/> -VR5C	Complete VR Pkg (0.5 GPM)
<input type="checkbox"/> -VR5A	Complete VR Pkg (2.2 GPM)



Model Number  
**Q-138WC**

Date  
**10/23/2006**

Scale  
**1:4**

Drawn  
**DHL**

Checked  
**JRM**

Approved  
**JHB**



Product Specifications:

Single Hole Deck Mount Mixing Faucet,  
Ceramic Cartridges, 4" Wrist Action Handles,  
8" Gooseneck (GN-C), 2.2 GPM Aerator



T&S BRASS AND BRONZE WORKS, INC.  
2 Saddleback Cove, P.O. Box 1088  
Travelers Rest, South Carolina 29690

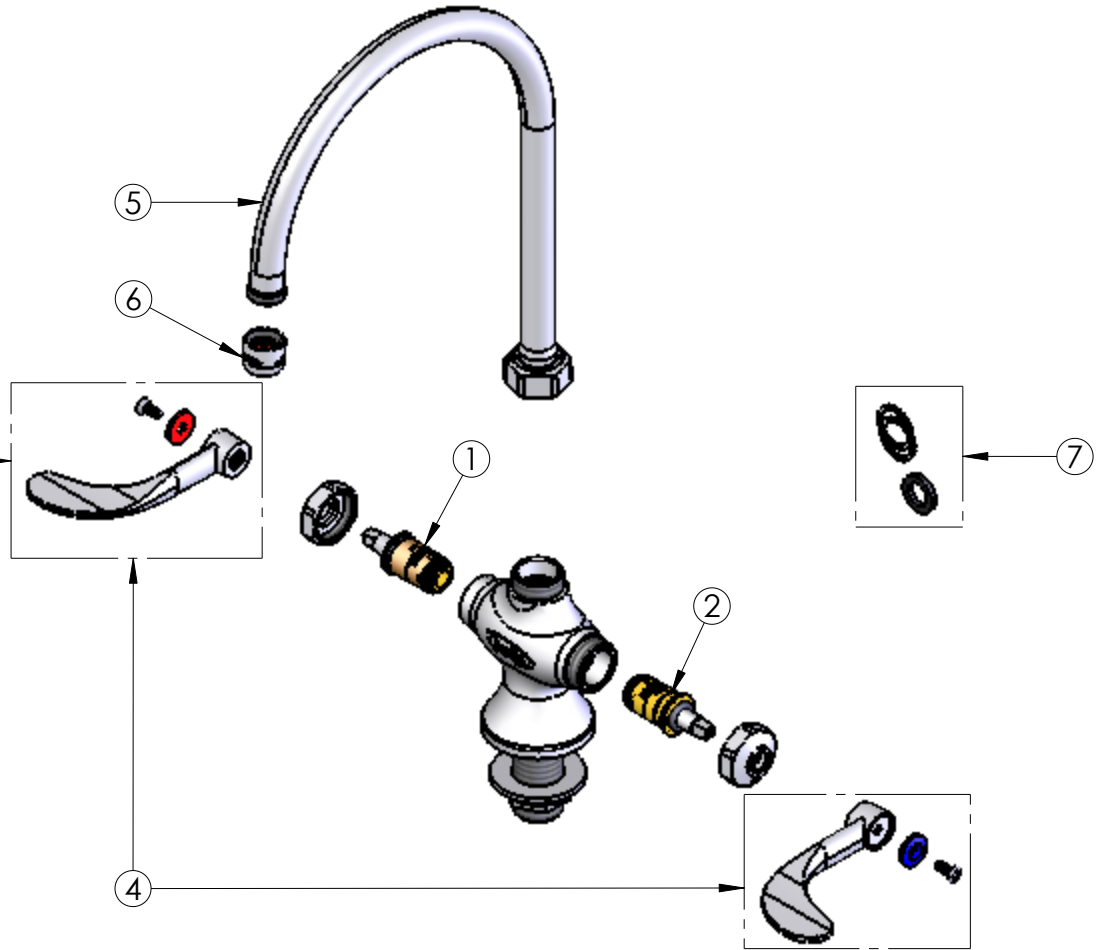
Phone: 800.476.4103 Fax: 800.834.3518, Simi Valley 800.423.0750



REG. #A2601  
ISO #9001

ITEM NO.	SALES NO.	DESCRIPTION
1	Q015383-40	Standard Ceramic Cartridge, Hot
2	Q015384-40	Standard Ceramic Cartridge, Cold
3	Q015975-40	Wrist Action Handle, 1-Pack Kit
4	Q015974-40	Wrist Action Handle, 2-Pack Kit
5	Q015377-40	8" Gooseneck (GN-C)
6	Q014986-45	Aerator, Female, 2.2 GPM
7	Q016062-45	GN Swivel/Rigid Kit

Note: This Item Kit Includes Both Color Coded Indexes ③



Model Number  
Q-138WC

Date  
10/23/2006

Scale  
1:4

Drawn  
DHL

Checked  
JRM

Approved  
JHB

**Qualis**  
by T&S

Product Specifications:

Single Hole Deck Mount Mixing Faucet,  
Ceramic Cartridges, 4" Wrist Action Handles,  
8" Gooseneck (GN-C), 2.2 GPM Aerator



T&S BRASS AND BRONZE WORKS, INC.  
2 Saddleback Cove, P.O. Box 1088  
Travelers Rest, South Carolina 29690

Phone: 800.476.4103 Fax: 800.834.3518, Simi Valley 800.423.0750



REG. #A2601  
ISO #9001