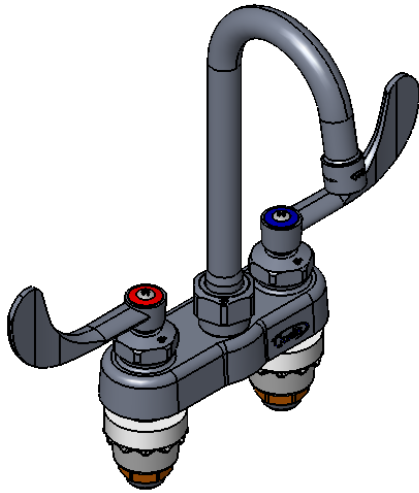




ADA COMPLIANT



*This Space for Architect/Engineer Approval*

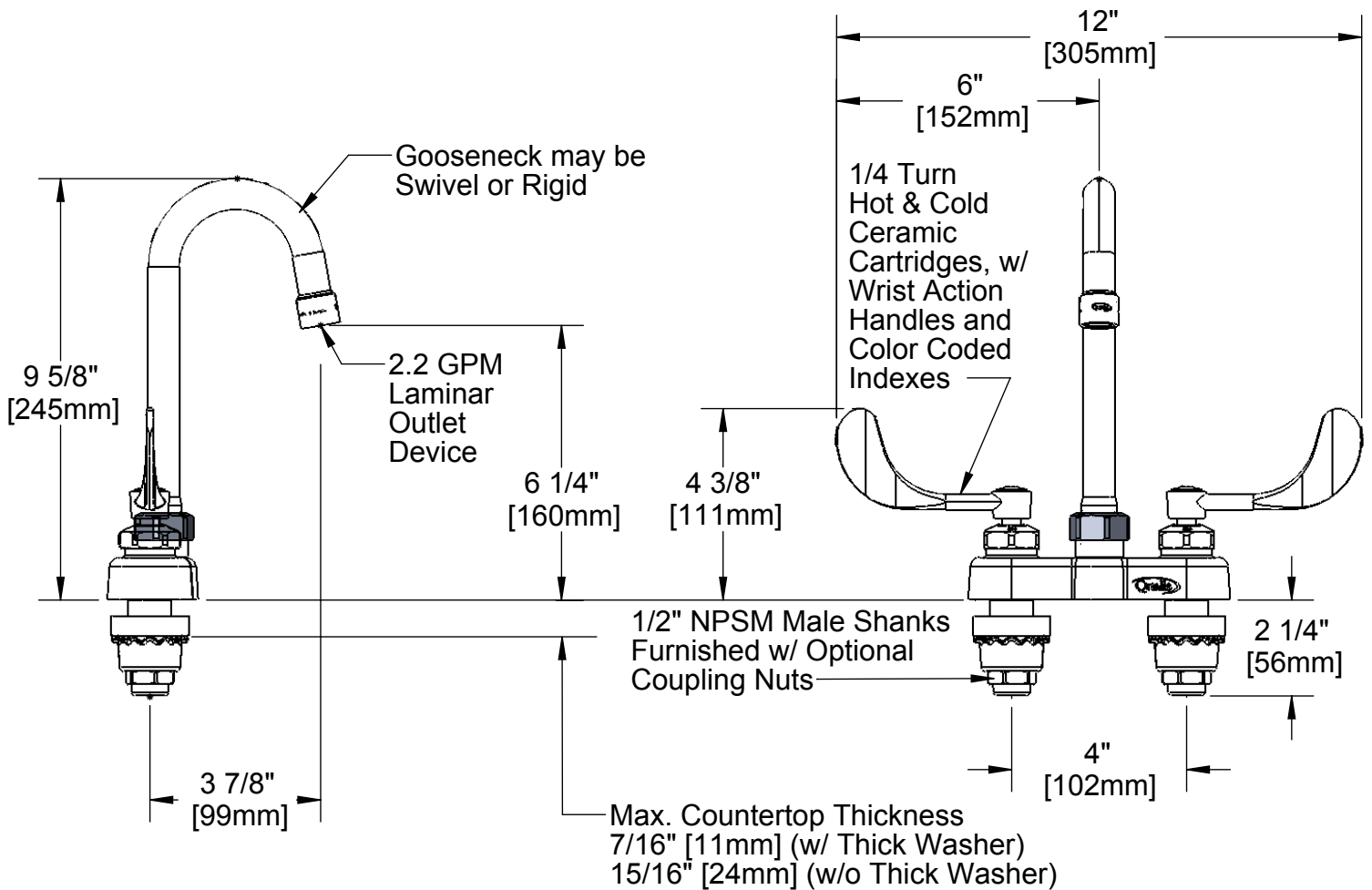
Job Name \_\_\_\_\_ Date \_\_\_\_\_

Model Specified \_\_\_\_\_ Quantity \_\_\_\_\_

Customer/Wholesaler \_\_\_\_\_

Contractor \_\_\_\_\_

Architect/Engineer \_\_\_\_\_



Model Number  
Q-438WA-5D

Date  
06/18/07

Scale  
1:4

Drawn  
DHL

Checked  
GEF

Approved  
JHB



Product Specifications:

4" Centerset Mixing Faucet, Ceramic Cartridges, Wrist Action Handles, 3 1/2" Gooseneck (GN-A), 2.2 GPM Laminar Outlet Device



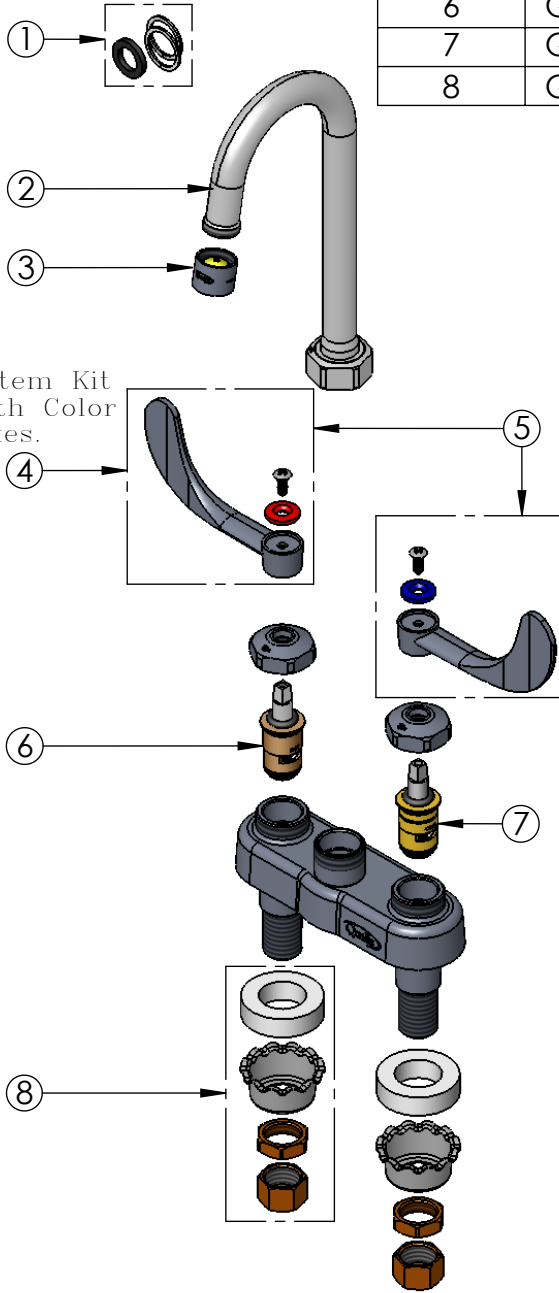
T&S BRASS AND BRONZE WORKS, INC.  
2 Saddleback Cove, P.O. Box 1088  
Travelers Rest, South Carolina 29690

Phone: 800.476.4103 Fax: 800.834.3518, Simi Valley 800.423.0750



REG. #A2601  
ISO #9001

ITEM NO.	SALES NO.	DESCRIPTION
1	Q016062-45	Kit, Swivel/Rigid Gooseneck Repair
2	Q015379-40	3 1/2" Gooseneck (GN-A)
3	Q016075-45	Device, Female 2.2 GPM Laminar Outlet
4	Q015975-40	Wrist Action Handle, 1-Pack
5	Q015974-40	Wrist Action Handle, 2-Pack
6	Q015383-40	Standard Ceramic Cartridge, Hot
7	Q015384-40	Standard Ceramic Cartridge, Cold
8	Q015424-40	Shank Hardware



Note: This Item Kit Includes Both Color Coded Indexes.

Model Number  
Q-438WA-5D

Date  
06/18/07

Scale  
1:4

Drawn  
DHL

Checked  
GEF

Approved  
JHB

**Qualis**  
by T&S

Product Specifications:

4" Centerset Mixing Faucet, Ceramic Cartridges, Wrist Action Handles, 3 1/2" Gooseneck (GN-A), 2.2 GPM Laminar Outlet Device



T&S BRASS AND BRONZE WORKS, INC.  
2 Saddleback Cove, P.O. Box 1088  
Travelers Rest, South Carolina 29690

Phone: 800.476.4103 Fax: 800.834.3518, Simi Valley 800.423.0750



REG. #A2601  
ISO #9001