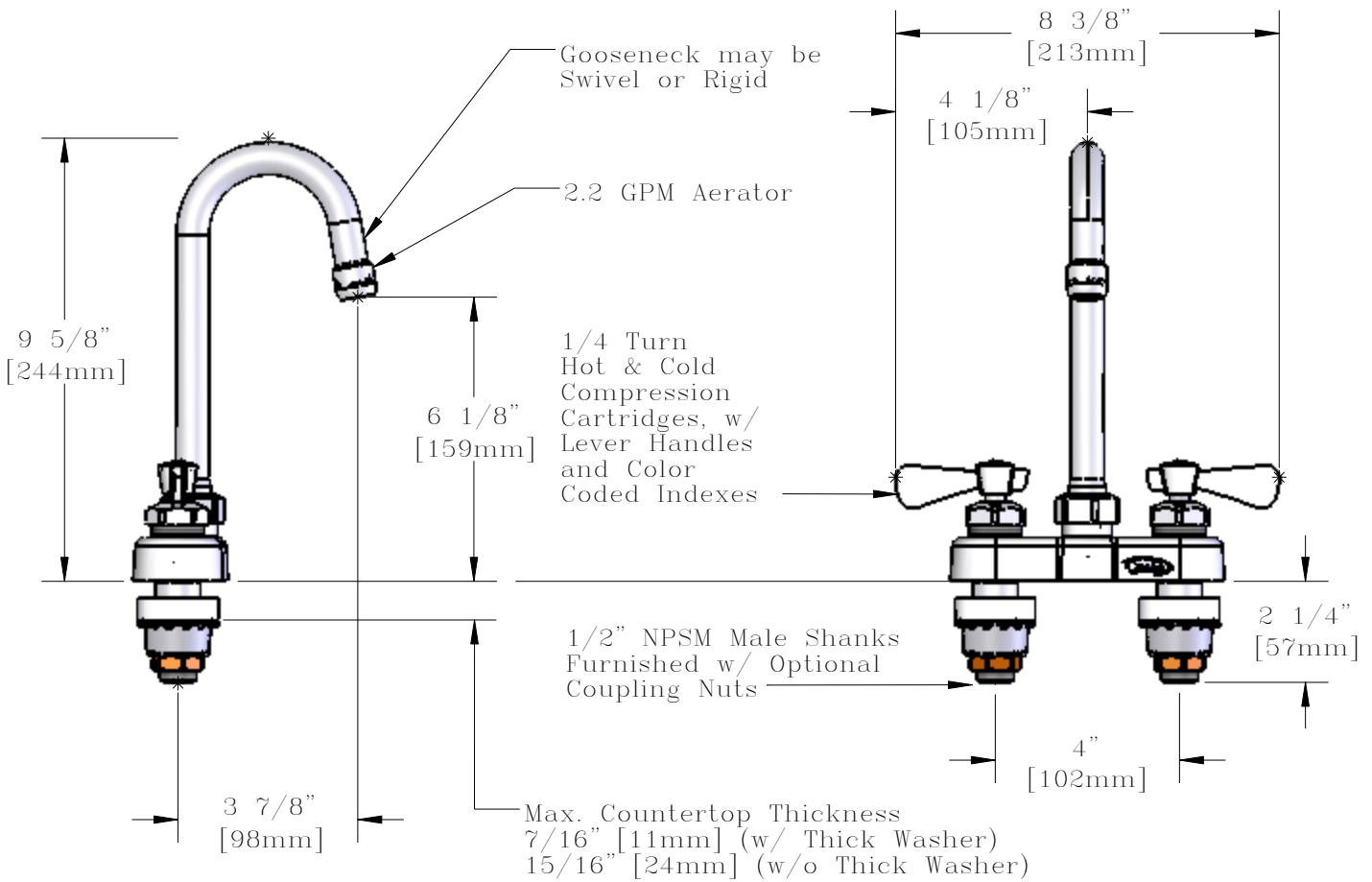


*This Space for Architect/Engineer Approval*

Job Name \_\_\_\_\_ Date \_\_\_\_\_  
 Model Specified \_\_\_\_\_ Quantity \_\_\_\_\_  
 Customer/Wholesaler \_\_\_\_\_  
 Contractor \_\_\_\_\_  
 Architect/Engineer \_\_\_\_\_

*Available Options*

| Model Suffix #                 | Description               |
|--------------------------------|---------------------------|
| <input type="checkbox"/> -5A   | 2.2 GPM VR Aerator        |
| <input type="checkbox"/> -5B   | 0.5 GPM Aerator           |
| <input type="checkbox"/> -5C   | 0.5 GPM VR Aerator        |
| <input type="checkbox"/> -5D   | 2.2 GPM Laminar Flow      |
| <input type="checkbox"/> -VR5C | Complete VR Pkg (0.5 GPM) |
| <input type="checkbox"/> -VR5A | Complete VR Pkg (2.2 GPM) |



|                         |                    |              |              |                |                 |
|-------------------------|--------------------|--------------|--------------|----------------|-----------------|
| Model Number<br>Q-439YA | Date<br>10/23/2006 | Scale<br>1:4 | Drawn<br>DHL | Checked<br>JRM | Approved<br>JHB |
|-------------------------|--------------------|--------------|--------------|----------------|-----------------|



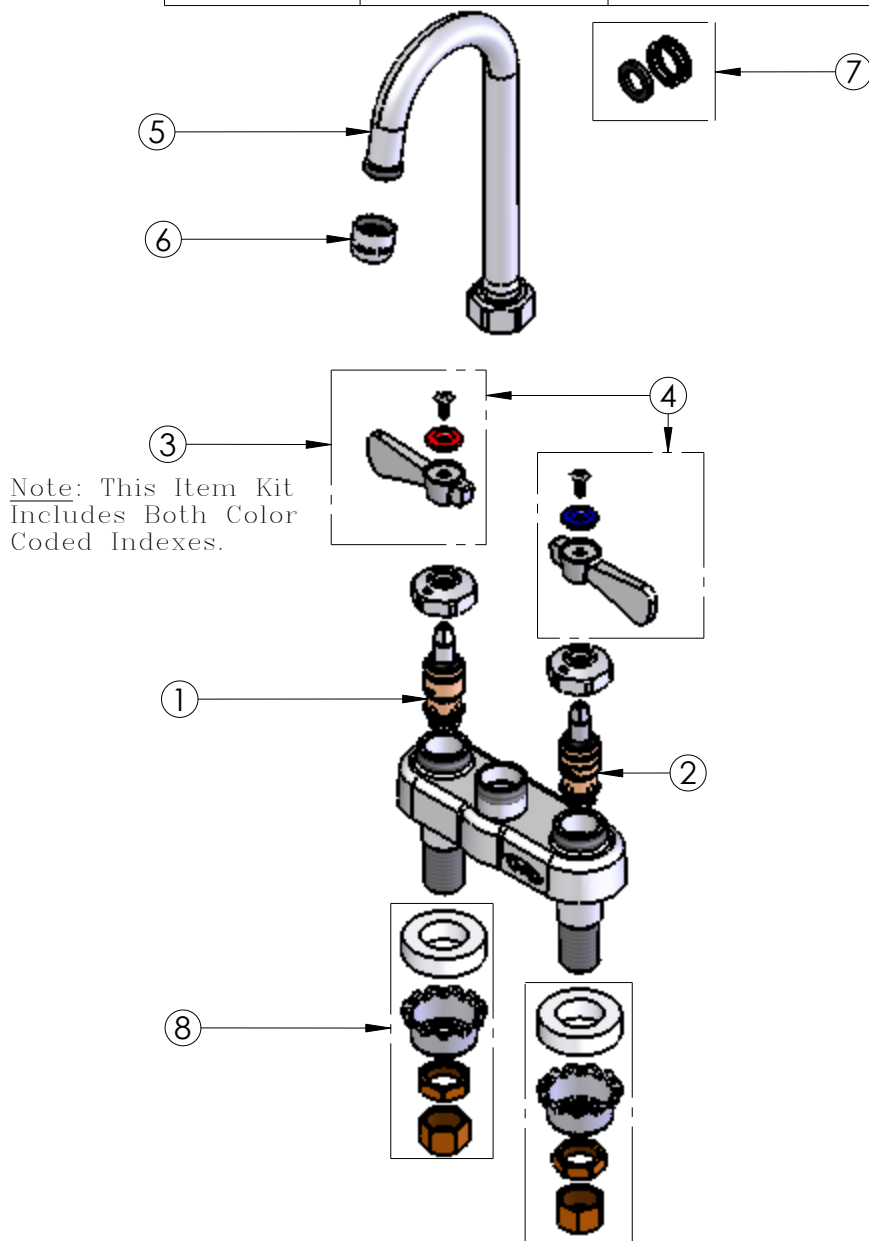
Product Specifications:  
**4" Centerset Mixing Faucet, Compression Cartridges, Lever Handles, 3 1/2" Gooseneck (GN-A), 2.2 GPM Aerator**

T&S BRASS AND BRONZE WORKS, INC.  
 2 Saddleback Cove, P.O. Box 1088  
 Travelers Rest, South Carolina 29690  
 Phone: 800.476.4103 Fax: 800.834.3518, Simi Valley 800.423.0750



REG. #A2601  
 ISO #9001

| ITEM NO. | SALES NO.  | DESCRIPTION                          |
|----------|------------|--------------------------------------|
| 1        | Q015387-40 | Standard Compression Cartridge, Hot  |
| 2        | Q015388-40 | Standard Compression Cartridge, Cold |
| 3        | Q015973-40 | Lever Handle, 1-Pack Kit             |
| 4        | Q015972-40 | Lever Handle, 2-Pack Kit             |
| 5        | Q015379-40 | 3 1/2" Gooseneck (GN-A)              |
| 6        | Q014986-45 | Aerator, Female, 2.2 GPM             |
| 7        | Q016062-45 | GN Swivel/Rigid Kit                  |
| 8        | Q015424-40 | Shank Hardware                       |



|                         |                    |              |              |                |                 |
|-------------------------|--------------------|--------------|--------------|----------------|-----------------|
| Model Number<br>Q-439YA | Date<br>10/23/2006 | Scale<br>1:4 | Drawn<br>DHL | Checked<br>JRM | Approved<br>JHB |
|-------------------------|--------------------|--------------|--------------|----------------|-----------------|



Product Specifications:  
**4" Centerset Mixing Faucet, Compression Cartridges,  
 Lever Handles, 3 1/2" Gooseneck (GN-A),  
 2.2 GPM Aerator**



T&S BRASS AND BRONZE WORKS, INC.  
 2 Saddleback Cove, P.O. Box 1088  
 Travelers Rest, South Carolina 29690  
 Phone: 800.476.4103 Fax: 800.834.3518, Simi Valley 800.423.0750



REG. #A2601  
 ISO #9001