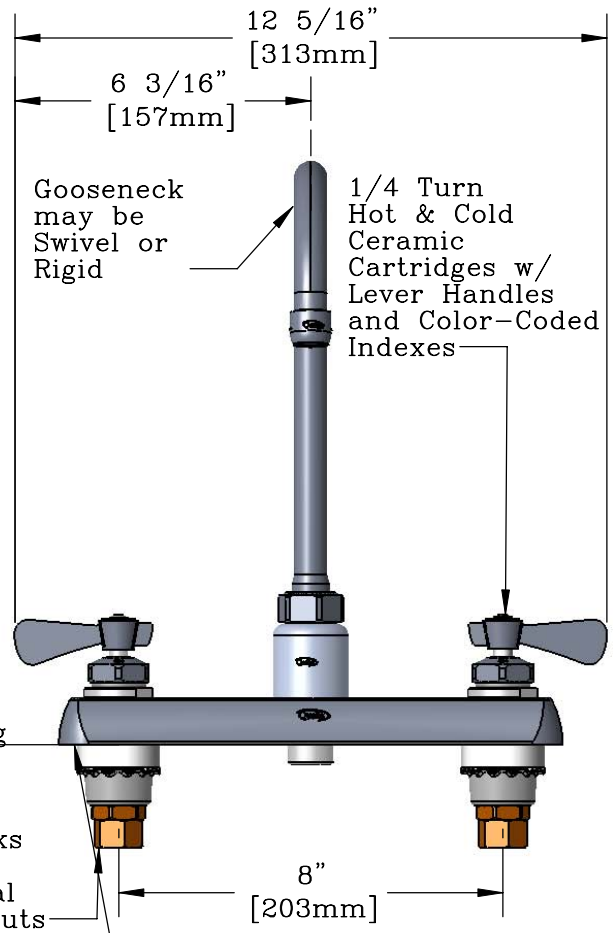
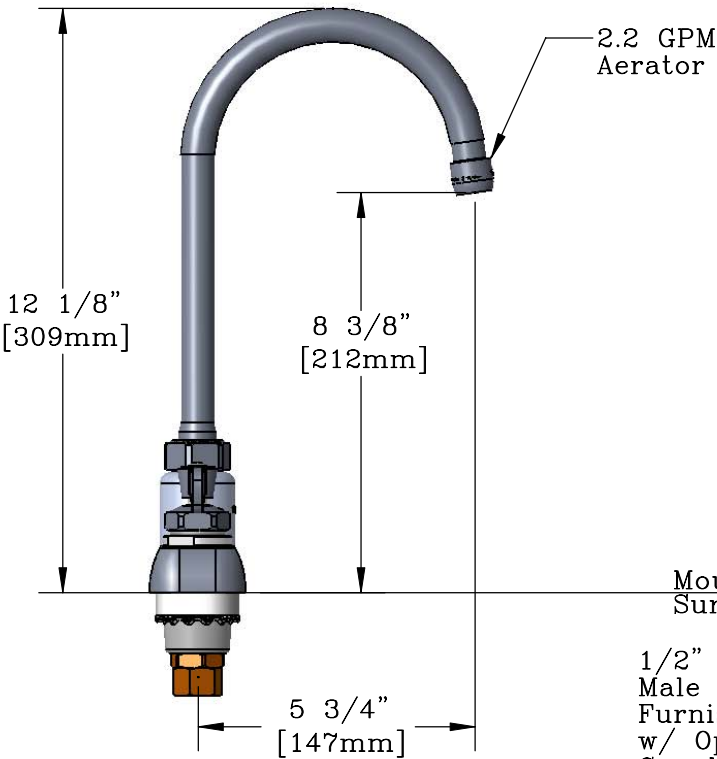
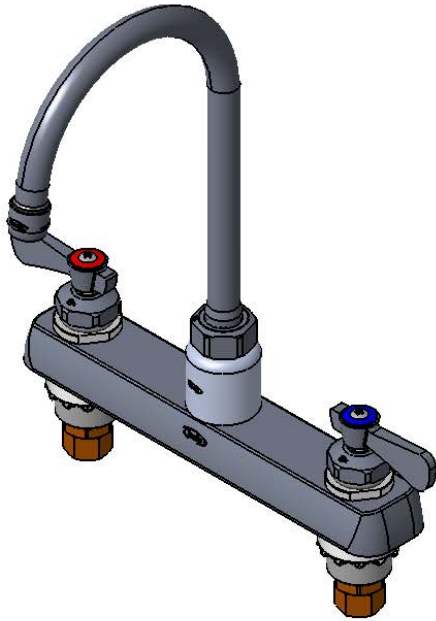




ADA COMPLIANT



1/2" NPSM Male Shanks
Furnished w/ Optional Coupling Nuts

Max. Countertop Thickness
7/16" [11mm] (w/ Thick Washer)
15/16" [24mm] (w/o Thick Washer)

Note: Rough-In Requirements
(3) \varnothing 1" Holes

This Space for Architect/Engineer Approval

Job Name _____ Date _____

Model Specified _____ Quantity _____

Customer/Wholesaler _____

Contractor _____

Architect/Engineer _____

Available Options	
Model Suffix #	Description
<input type="checkbox"/> -5A	2.2 GPM VR Aerator
<input type="checkbox"/> -5B	0.5 GPM Aerator
<input type="checkbox"/> -5C	0.5 GPM VR Aerator
<input type="checkbox"/> -5D	2.2 GPM Laminar Flow
<input type="checkbox"/>	
<input type="checkbox"/> -VR5C	Complete VR Pkg (0.5 GPM)
<input type="checkbox"/> -VR5A	Complete VR Pkg (2.2 GPM)
<input type="checkbox"/>	

Model Number Q-838YB	Date 12/11/08	Scale 1:4	Drawn JRM	Checked DMH	Approved JHB
-------------------------	------------------	--------------	--------------	----------------	-----------------



Product Specifications:
8" Exposed Deck Mount Mixing Faucet,
Ceramic Cartridges, Lever Handles,
5 3/4" Gooseneck (GN-B) & 2.2 GPM Aerator



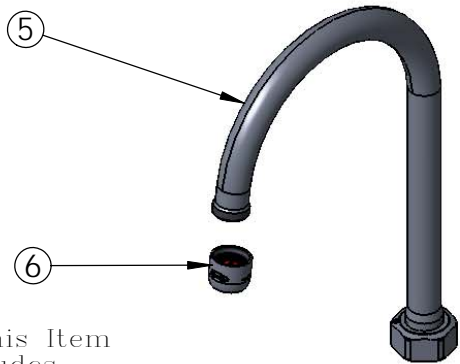
T&S BRASS AND BRONZE WORKS, INC.
2 Saddleback Cove, P.O. Box 1088
Travelers Rest, South Carolina 29690

Phone: 800.476.4103 Fax: 800.834.3518, Simi Valley 800.423.0750

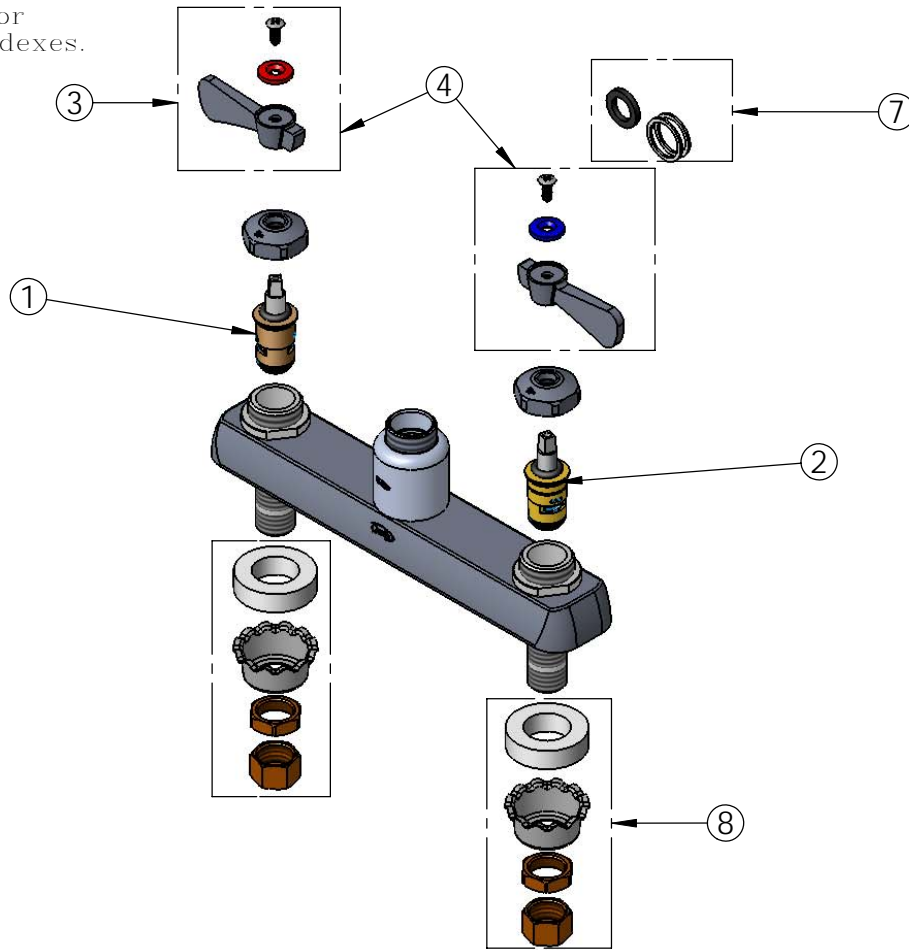


REG. #A2601
ISO #9001

ITEM NO.	SALES NO.	DESCRIPTION
1	Q015383-40	Standard Ceramic Cartridge, Hot
2	Q015384-40	Standard Ceramic Cartridge, Cold
3	Q015973-40	Lever Handle, 1-Pack Kit
4	Q015972-40	Lever Handle, 2-Pack Kit
5	Q015378-40	5 3/4" Gooseneck (GN-B)
6	Q014986-45	Aerator, Female, 2.2 GPM
7	Q016062-45	GN Swivel/Rigid Kit
8	Q015424-40	Shank Hardware



Note: This Item Kit Includes Both Color Coded Indexes.



Model Number Q-838YB	Date 12/11/08	Scale 1:4	Drawn JRM	Checked DMH	Approved JHB
-------------------------	------------------	--------------	--------------	----------------	-----------------



Product Specifications:

8" Exposed Deck Mount Mixing Faucet,
Ceramic Cartridges, Lever Handles,
5 3/4" Gooseneck (GN-B) & 2.2 GPM Aerator



T&S BRASS AND BRONZE WORKS, INC.
2 Saddleback Cove, P.O. Box 1088
Travelers Rest, South Carolina 29690

Phone: 800.476.4103 Fax: 800.834.3518, Simi Valley 800.423.0750



REG. #A2601
ISO #9001