

This Space for Architect/Engineer Approval

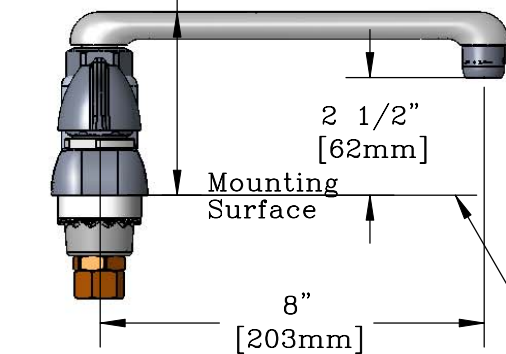
Job Name _____ Date _____
 Model Specified _____ Quantity _____
 Customer/Wholesaler _____
 Contractor _____
 Architect/Engineer _____

Available Options

Model Suffix #	Description
<input type="checkbox"/> -5A	2.2 GPM VR Aerator
<input type="checkbox"/> -5B	0.5 GPM Aerator
<input type="checkbox"/> -5C	0.5 GPM VR Aerator
<input type="checkbox"/> -5D	2.2 GPM Laminar Flow
<input type="checkbox"/>	
<input type="checkbox"/> -VR5C	Complete VR Pkg (0.5 GPM)
<input type="checkbox"/> -VR5A	Complete VR Pkg (2.2 GPM)
<input type="checkbox"/>	

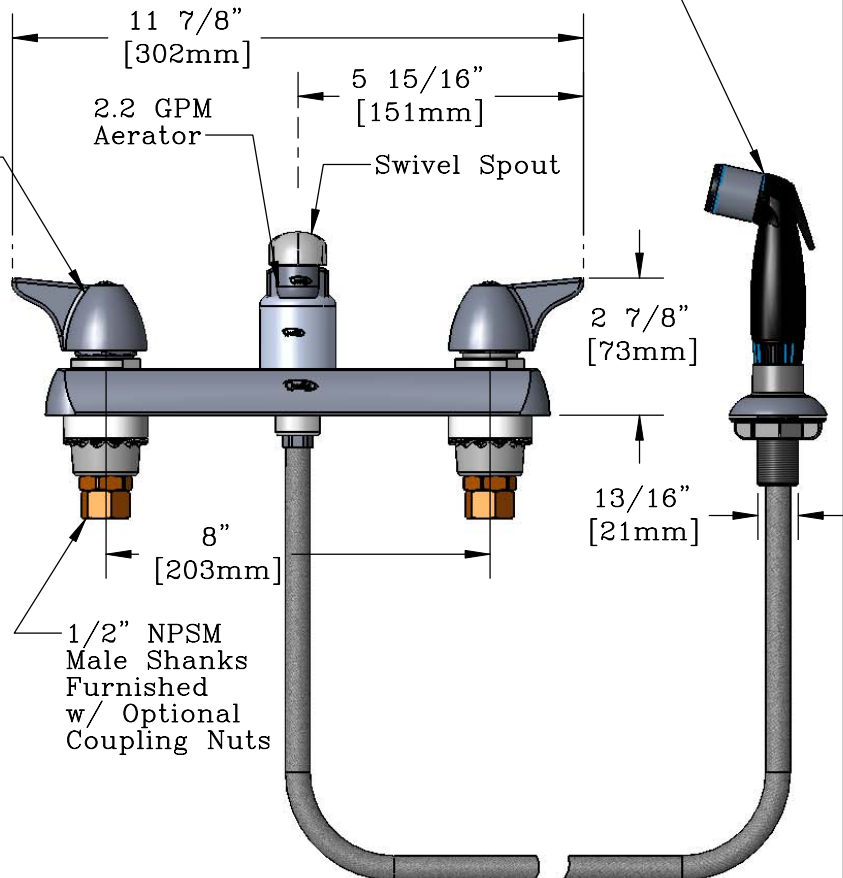
Black & Chrome Side Spray
 w/ Automatic Diverter &
 4' Under Counter Flexible
 Reinforced Hose.

3 7/8" [97mm]
 1/4 Turn Hot & Cold
 Compression Cartridges
 w/Domed Lever Handles
 and Color Coded Indexes



Max. Countertop Thickness
 7/16" [11mm] (w/ Thick Washer)
 15/16" [24mm] (w/o Thick Washer)

Note: Rough-In Requirements
 (4) Ø1" Holes



Model Number Q-839XG-2B	Date 04/04/08	Scale 1:4	Drawn JRM	Checked GEF	Approved JHB
----------------------------	------------------	--------------	--------------	----------------	-----------------



Product Specifications:
 8" Exposed Deck Mount Mixing Faucet,
 Compression Cartridges, Domed Lever Handles,
 8" Cast Spout, 2.2 GPM Aerator & Side Spray

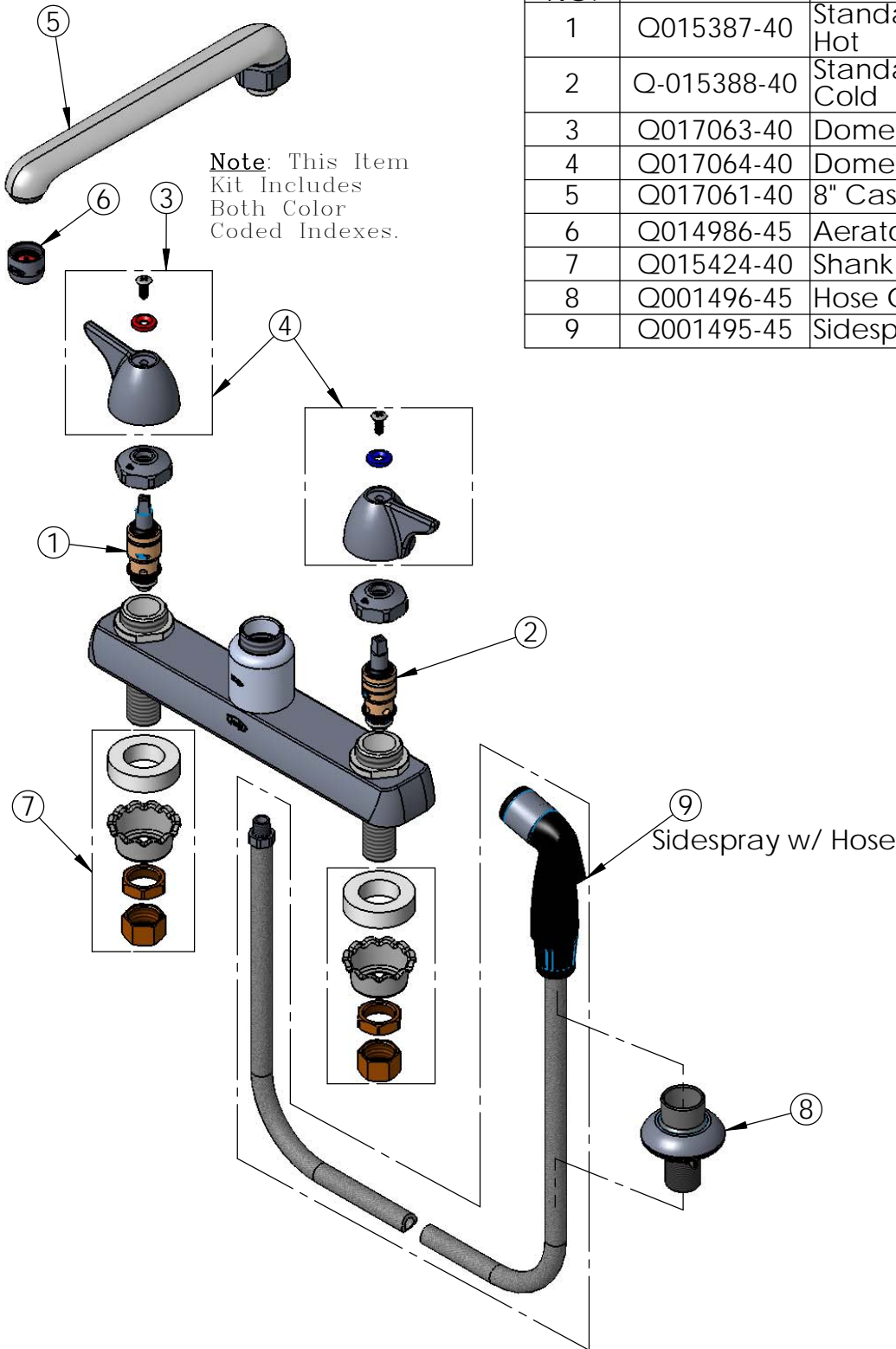


T&S BRASS AND BRONZE WORKS, INC.
 2 Saddleback Cove, P.O. Box 1088
 Travelers Rest, South Carolina 29690
 Phone: 800.476.4103 Fax: 800.834.3518, Simi Valley 800.423.0750



REG. #A2601
 ISO #9001

ITEM NO.	SALES NO.	DESCRIPTION
1	Q015387-40	Standard Compression Cartridge, Hot
2	Q-015388-40	Standard Compression Cartridge, Cold
3	Q017063-40	Domed Lever Handle, 1-Pack Kit
4	Q017064-40	Domed Lever Handle, 2-Pack Kit
5	Q017061-40	8" Cast Spout Assembly
6	Q014986-45	Aerator, Female, 2.2 GPM
7	Q015424-40	Shank Hardware
8	Q001496-45	Hose Guide
9	Q001495-45	Sidespray



Model Number Q-839XG-2B	Date 04/04/08	Scale 1:4	Drawn JRM	Checked GEF	Approved JHB
----------------------------	------------------	--------------	--------------	----------------	-----------------



Product Specifications:
**8" Exposed Deck Mount Mixing Faucet,
 Compression Cartridges, Domed Lever Handles,
 8" Cast Spout, 2.2 GPM Aerator & Side Spray**



T&S BRASS AND BRONZE WORKS, INC.
 2 Saddleback Cove, P.O. Box 1088
 Travelers Rest, South Carolina 29690

Phone: 800.476.4103 Fax: 800.834.3518, Simi Valley 800.423.0750



REG. #A2601
 ISO #9001