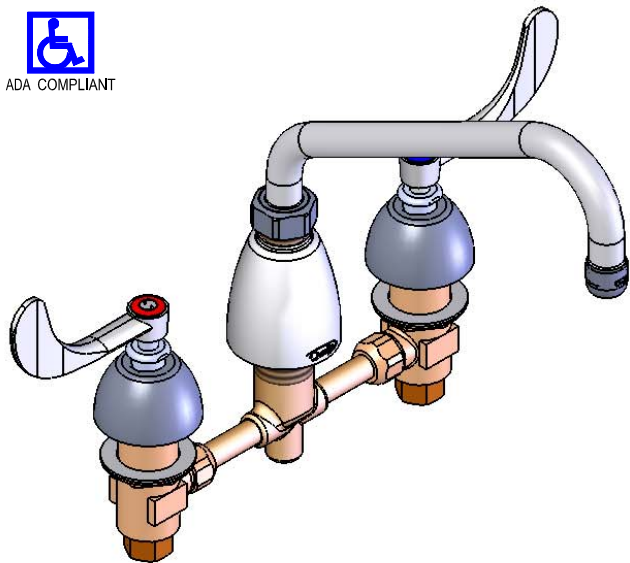




ADA COMPLIANT



This Space for Architect/Engineer Approval

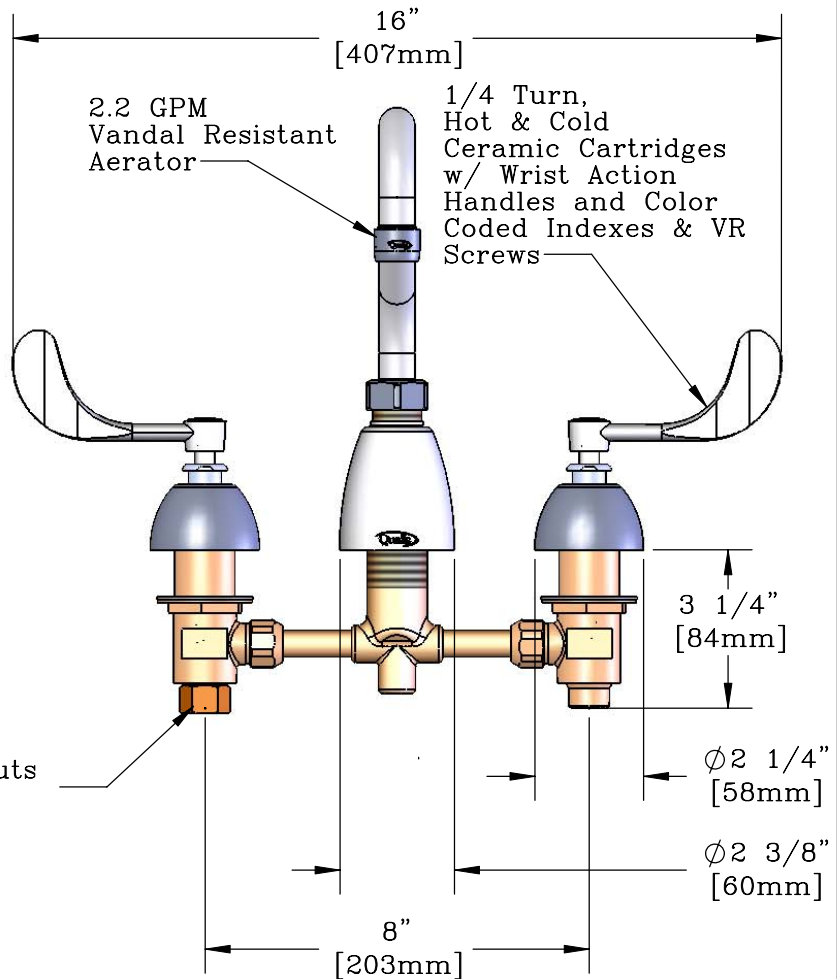
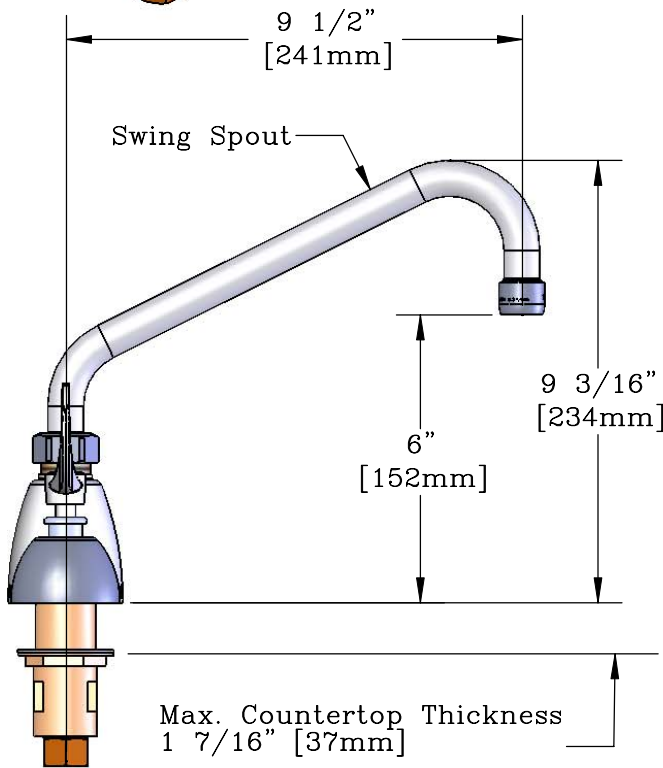
Job Name _____ Date _____

Model Specified _____ Quantity _____

Customer/Wholesaler _____

Contractor _____

Architect/Engineer _____



1/2" NPSM Male Shanks
Furnished w/ Optional Coupling Nuts

Note: Rough-In Requirements
(3) Ø1 1/2" [Ø38mm] Holes
(Ø1 1/4" [Ø32mm] Minimum)

Model Number Q-858WD-VR5A	Date 10/22/08	Scale 1:4	Drawn JRM	Checked GEF	Approved JHB
------------------------------	------------------	--------------	--------------	----------------	-----------------



Product Specifications:

8" Widespread Mixing Faucet, Ceramic Cartridges, Wrist Action Handles, 9 1/2" Swing Spout (SS-D), 2.2 GPM VR Aerator & VR Screws



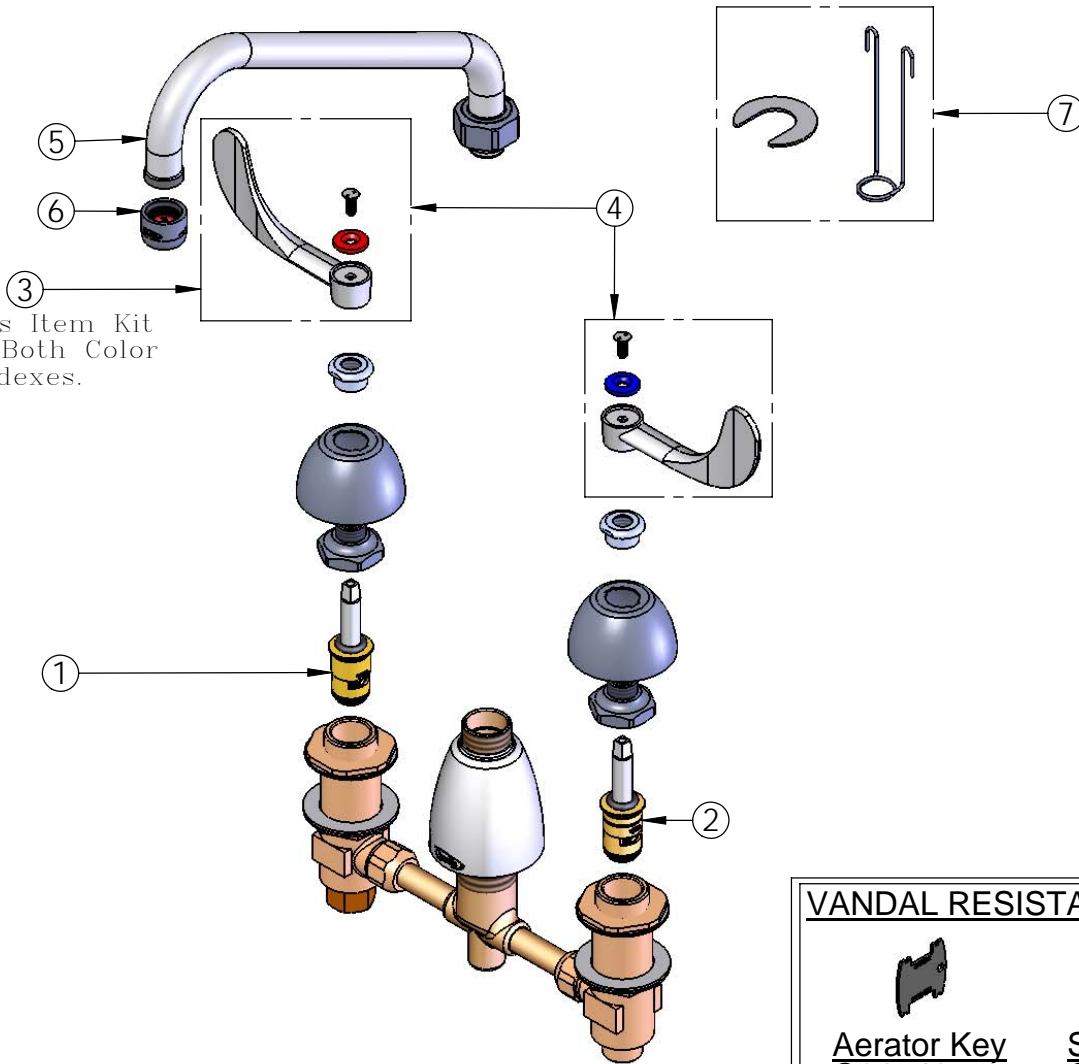
T&S BRASS AND BRONZE WORKS, INC.
2 Saddleback Cove, P.O. Box 1088
Travelers Rest, South Carolina 29690

Phone: 800.476.4103 Fax: 800.834.3518, Simi Valley 800.423.0750





REG. #A2601
ISO #9001

ITEM NO.	SALES NO.	DESCRIPTION
1	Q015385-40	Long Ceramic Cartridge, Hot
2	Q015386-40	Long Ceramic Cartridge, Cold
3	Q015975-40-VR	Wrist Action Handle, 1-Pack w/ Vandal Resistant Screw & Spanner Bit
4	Q015974-40-VR	Wrist Action Handle, 2-Pack w/ Vandal Resistant Screw & Spanner Bit
5	Q015376-40	9-1/2" Swing Spout
6	Q016076-45	VR Aerator, Female, 2.2 GPM
7	Q015984-45	Trim Installation Package



Note: This Item Kit Includes Both Color Coded Indexes.

VANDAL RESISTANT TOOLS	
	
Aerator Key #Q015425-45	Spanner Bit #Q014075-45

Model Number Q-858WD-VR5A	Date 10/22/08	Scale 1:4	Drawn JRM	Checked GEF	Approved JHB
------------------------------	------------------	--------------	--------------	----------------	-----------------



Product Specifications:
8" Widespread Mixing Faucet, Ceramic Cartridges,
Wrist Action Handles, 9 1/2" Swing Spout (SS-D),
2.2 GPM VR Aerator & VR Screws



T&S BRASS AND BRONZE WORKS, INC.
2 Saddleback Cove, P.O. Box 1088
Travelers Rest, South Carolina 29690

Phone: 800.476.4103 Fax: 800.834.3518, Simi Valley 800.423.0750



REG. #A2601
ISO #9001