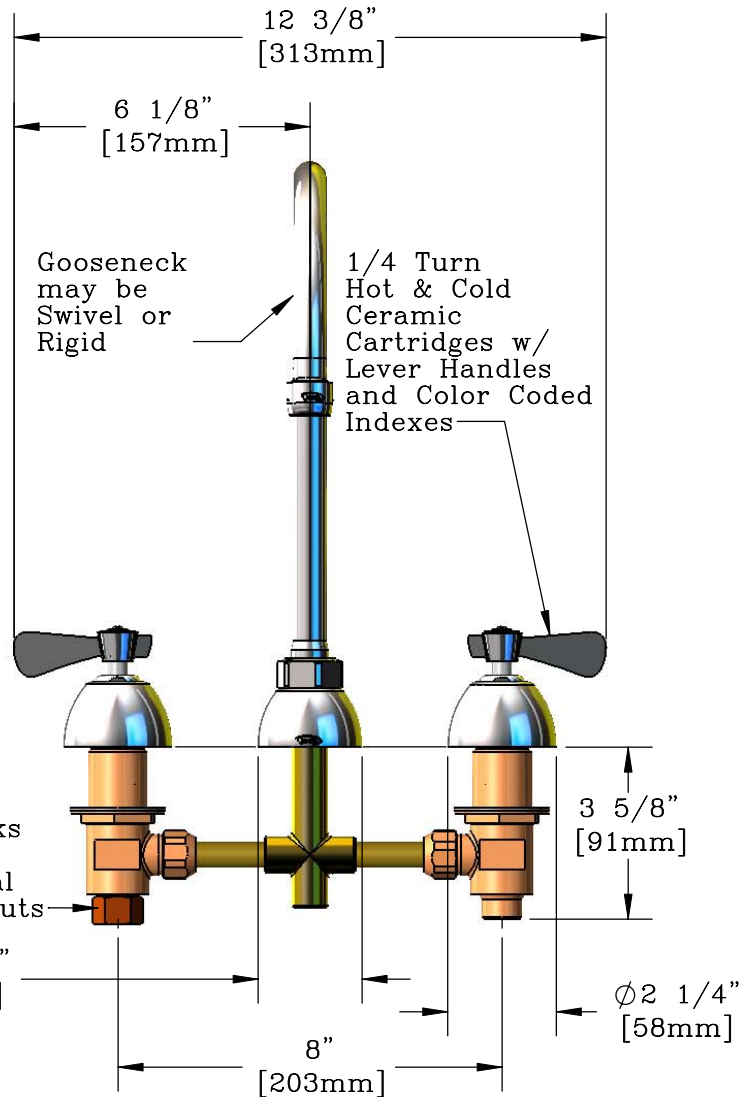
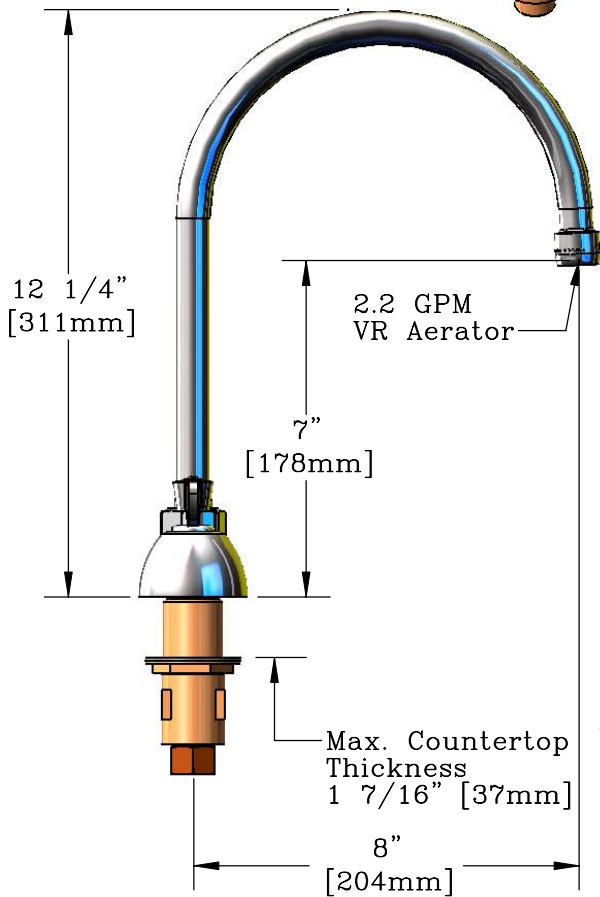
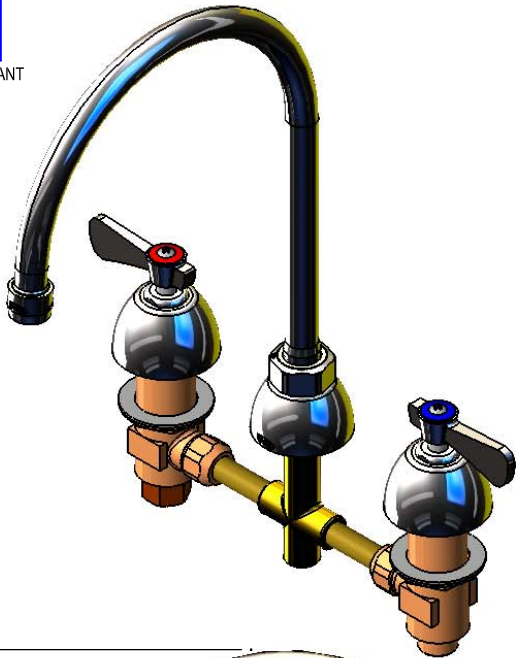




ADA COMPLIANT



*This Space for Architect/Engineer Approval*

Job Name \_\_\_\_\_ Date \_\_\_\_\_

Model Specified \_\_\_\_\_ Quantity \_\_\_\_\_

Customer/Wholesaler \_\_\_\_\_

Contractor \_\_\_\_\_

Architect/Engineer \_\_\_\_\_

Model Number  
Q-858YC-5A

Date  
06/03/08

Scale  
1:4

Drawn  
JRM

Checked  
GEF

Approved  
JHB



Product Specifications:  
8" Widespread Mixing Faucet, Ceramic Cartridges, Lever Handles, 8" Gooseneck (GN-C), 2.2 GPM VR Aerator



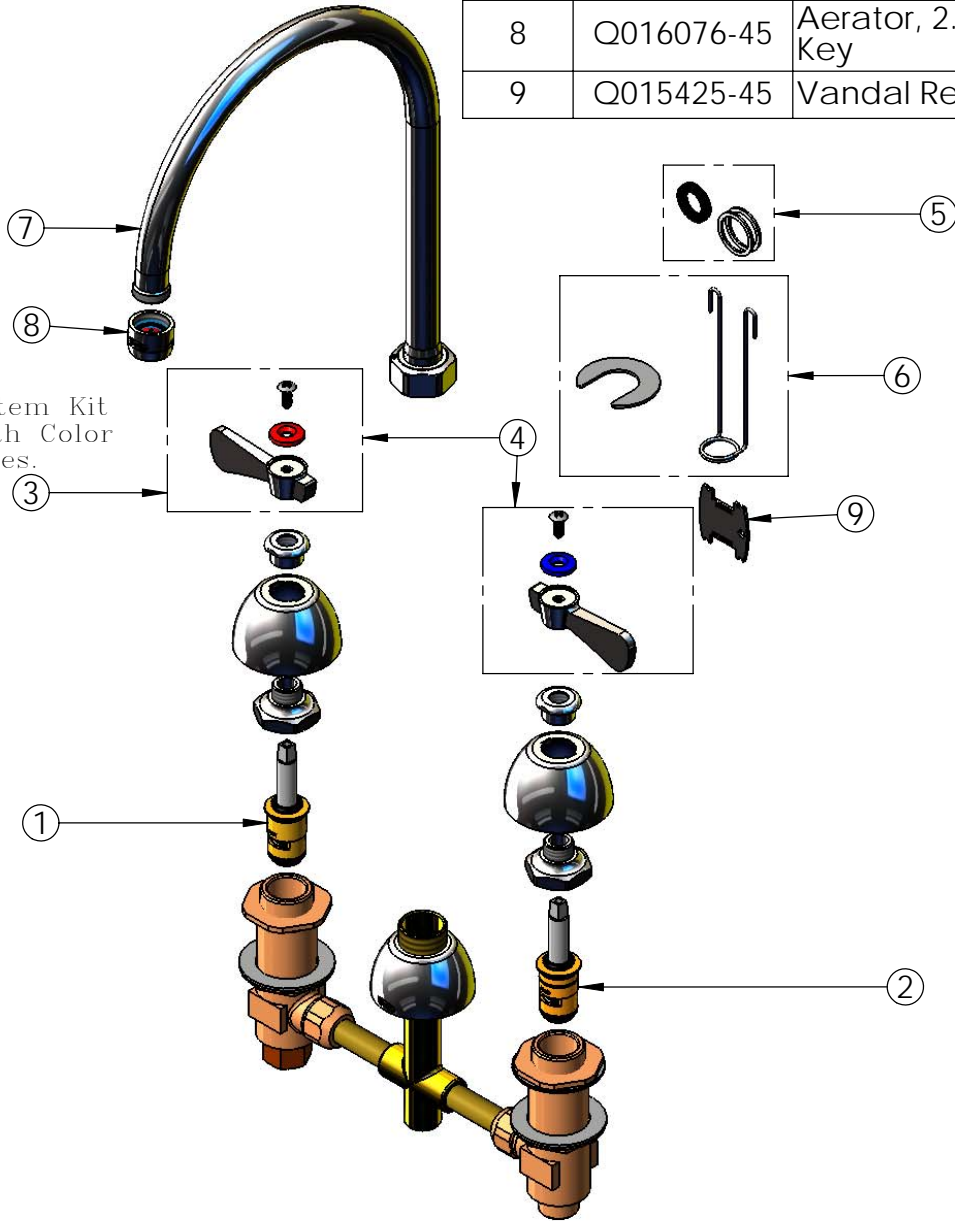
T&S BRASS AND BRONZE WORKS, INC.  
2 Saddleback Cove, P.O. Box 1088  
Travelers Rest, South Carolina 29690

Phone: 800.476.4103 Fax: 800.834.3518, Simi Valley 800.423.0750



REG. #A2601  
ISO #9001

ITEM NO.	SALES NO.	DESCRIPTION
1	Q015385-40	Long Ceramic Cartridge, Hot
2	Q015386-40	Long Ceramic Cartridge, Cold
3	Q015973-40	Lever Handle, 1-Pack Kit
4	Q015972-40	Lever Handle, 2-Pack Kit
5	Q016062-45	GN Swivel/Rigid Kit
6	Q015984-45	Trim Installation Package
7	Q016109-40	8" (GN-C) Gooseneck , w/2.2 GPM VR Aerator
8	Q016076-45	Aerator, 2.2 GPM VR Female w/ Key
9	Q015425-45	Vandal Resistant Key



**Note:** This Item Kit Includes Both Color Coded Indexes.

Model Number Q-858YC-5A	Date 06/03/08	Scale 1:4	Drawn JRM	Checked GEF	Approved JHB
----------------------------	------------------	--------------	--------------	----------------	-----------------



Product Specifications:  
8" Widespread Mixing Faucet, Ceramic Cartridges, Lever Handles, 8" Gooseneck (GN-C), 2.2 GPM VR Aerator



T&S BRASS AND BRONZE WORKS, INC.  
2 Saddleback Cove, P.O. Box 1088  
Travelers Rest, South Carolina 29690  
Phone: 800.476.4103 Fax: 800.834.3518, Simi Valley 800.423.0750



REG. #A2601  
ISO #9001