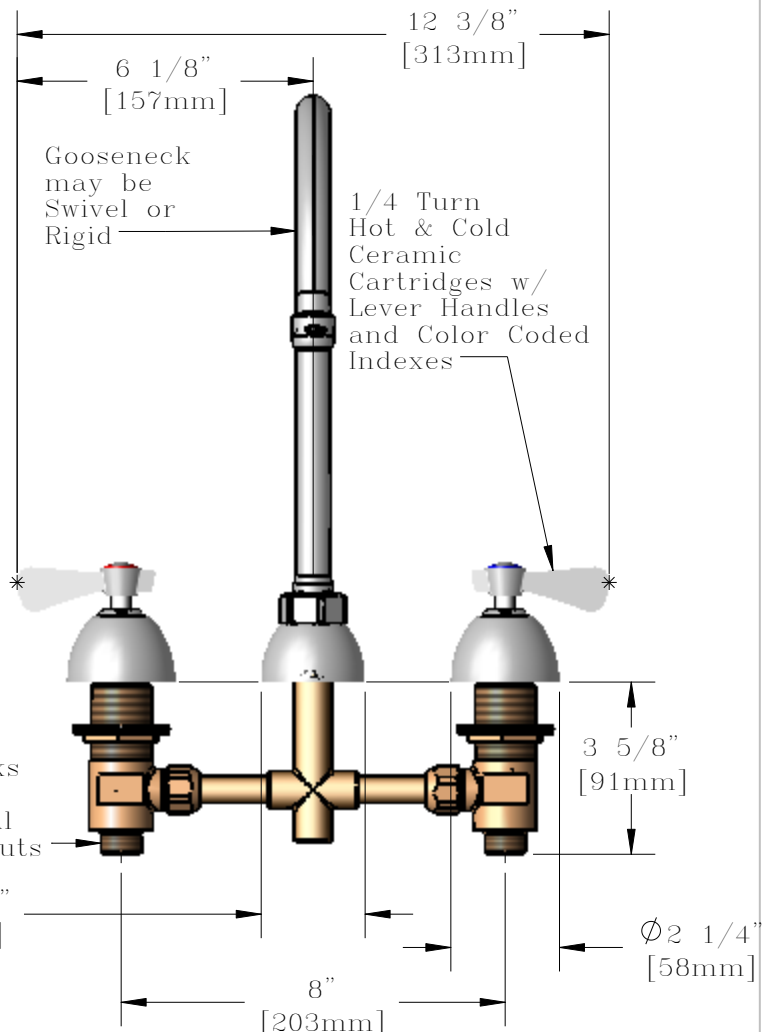
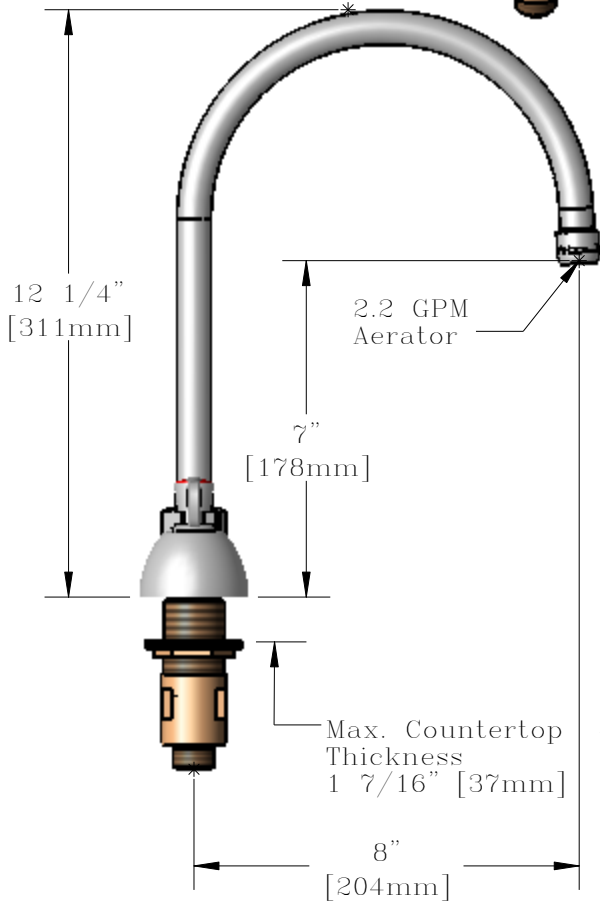
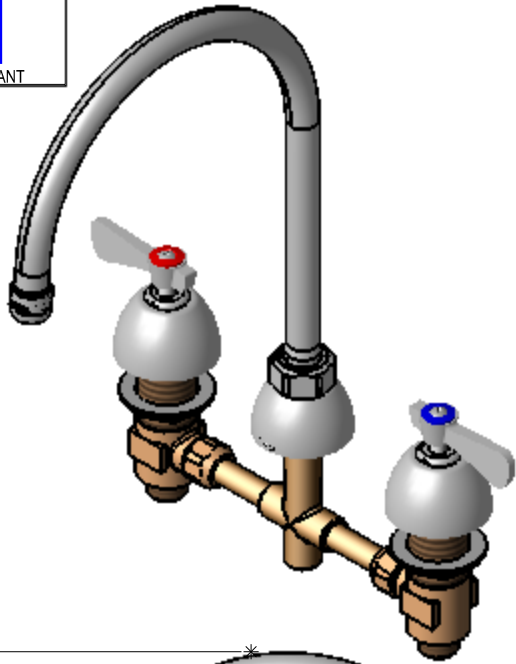




ADA COMPLIANT



This Space for Architect/Engineer Approval

Job Name _____ Date _____

Model Specified _____ Quantity _____

Customer/Wholesaler _____

Contractor _____

Architect/Engineer _____

Available Options

| Model Suffix # | Description |
|--------------------------------|---------------------------|
| <input type="checkbox"/> -5A | 2.2 GPM VR Aerator |
| <input type="checkbox"/> -5B | 0.5 GPM Aerator |
| <input type="checkbox"/> -5C | 0.5 GPM VR Aerator |
| <input type="checkbox"/> -5D | 2.2 GPM Laminar Flow |
| <input type="checkbox"/> -VR5C | Complete VR Pkg (0.5 GPM) |
| <input type="checkbox"/> -VR5A | Complete VR Pkg (2.2 GPM) |

Model Number
Q-858YC

Date
10/23/2006

Scale
1:4

Drawn
DHL

Checked
JRM

Approved
JHB

Product Specifications:

8" Widespread Mixing Faucet, Ceramic Cartridges, Lever Handles, 8" Gooseneck (GN-C), 2.2 GPM Aerator



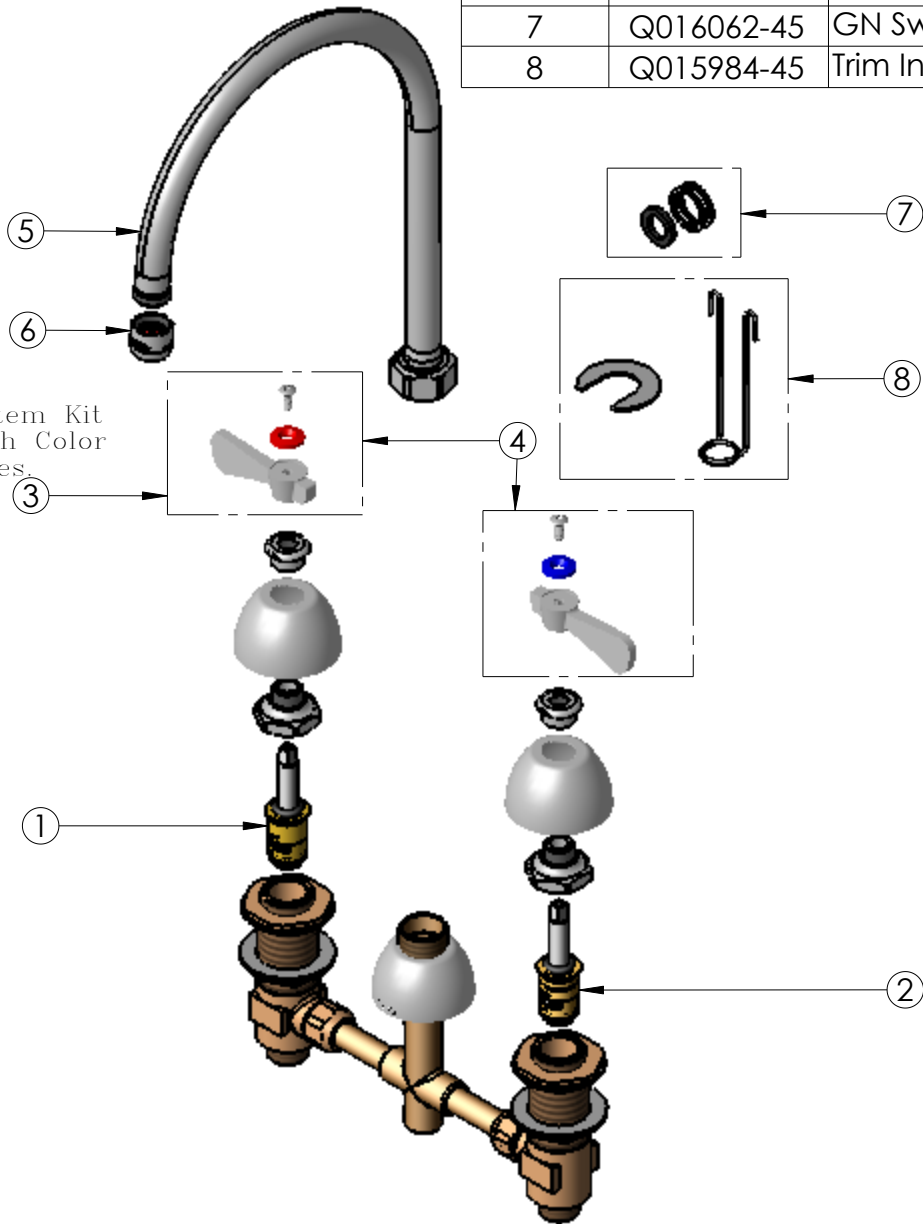
T&S BRASS AND BRONZE WORKS, INC.
2 Saddleback Cove, P.O. Box 1088
Travelers Rest, South Carolina 29690

Phone: 800.476.4103 Fax: 800.834.3518, Simi Valley 800.423.0750



REG. #A2601
ISO #9001

| ITEM NO. | SALES NO. | DESCRIPTION |
|----------|------------|------------------------------|
| 1 | Q015385-40 | Long Ceramic Cartridge, Hot |
| 2 | Q015386-40 | Long Ceramic Cartridge, Cold |
| 3 | Q015973-40 | Lever Handle, 1-Pack Kit |
| 4 | Q015972-40 | Lever Handle, 2-Pack Kit |
| 5 | Q015377-40 | 8" Gooseneck (GN-C) |
| 6 | Q014986-45 | Aerator, Female, 2.2 GPM |
| 7 | Q016062-45 | GN Swivel/Rigid Kit |
| 8 | Q015984-45 | Trim Installation Package |



Note: This Item Kit Includes Both Color Coded Indexes.

| | | | | | |
|-------------------------|--------------------|--------------|--------------|----------------|-----------------|
| Model Number Q-858YC | Date 10/23/2006 | Scale 1:4 | Drawn DHL | Checked JRM | Approved JHB |
|-------------------------|--------------------|--------------|--------------|----------------|-----------------|



Product Specifications:

8" Widespread Mixing Faucet, Ceramic Cartridges, Lever Handles, 8" Gooseneck (GN-C), 2.2 GPM Aerator



T&S BRASS AND BRONZE WORKS, INC.
2 Saddleback Cove, P.O. Box 1088
Travelers Rest, South Carolina 29690

Phone: 800.476.4103 Fax: 800.834.3518, Simi Valley 800.423.0750



REG. #A2601
ISO #9001