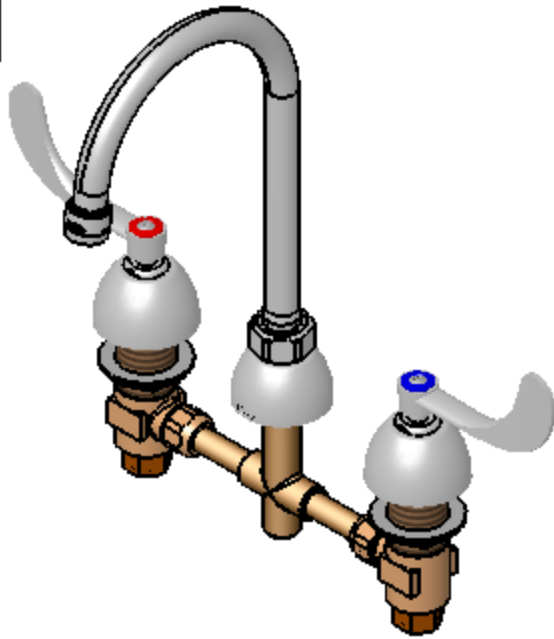




ADA COMPLIANT



*This Space for Architect/Engineer Approval*

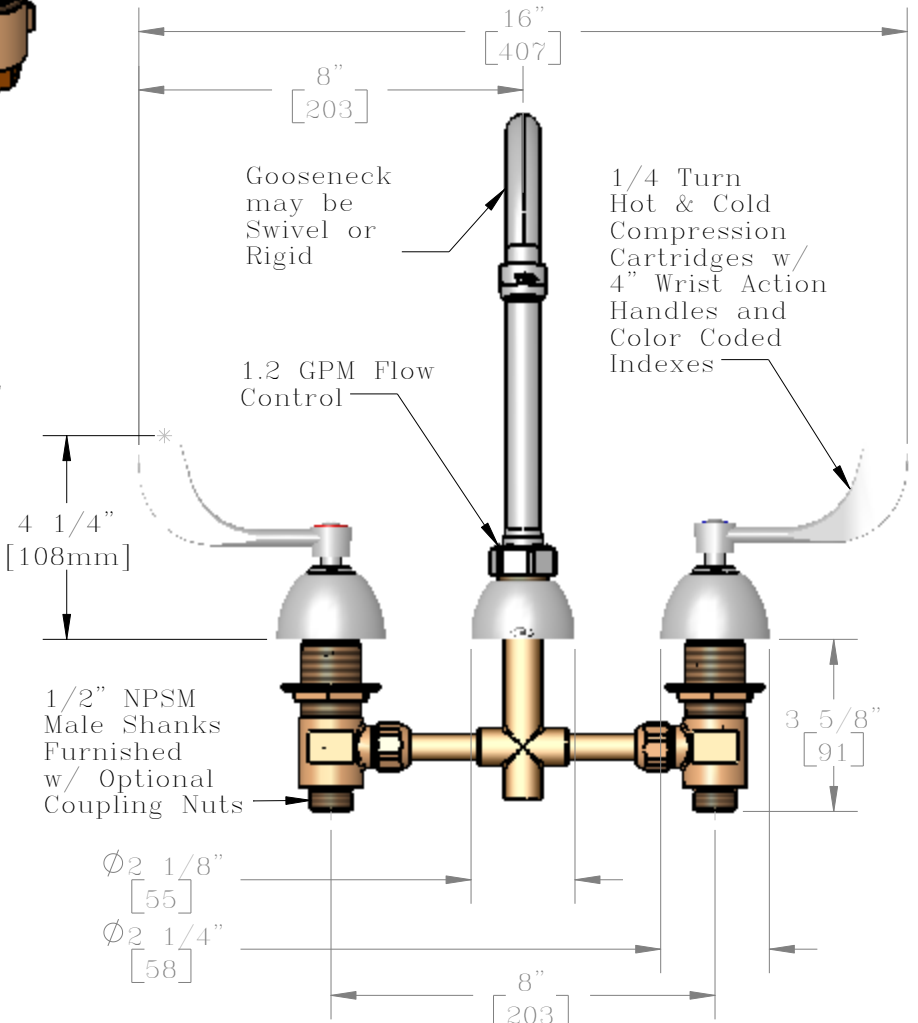
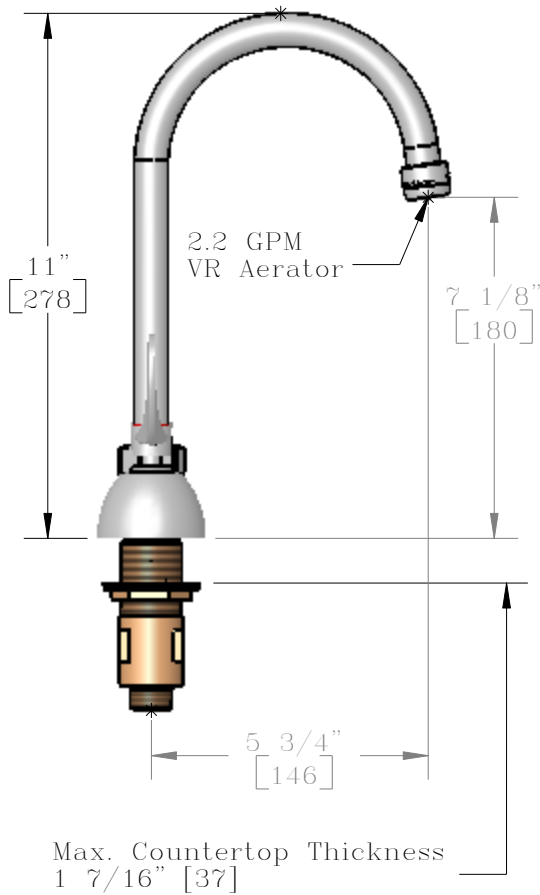
Job Name \_\_\_\_\_ Date \_\_\_\_\_

Model Specified \_\_\_\_\_ Quantity \_\_\_\_\_

Customer/Wholesaler \_\_\_\_\_

Contractor \_\_\_\_\_

Architect/Engineer \_\_\_\_\_



Model Number Q-859WB-5A	Date 7/24/06	Scale 1:4	Drawn DHL	Checked JRM	Approved JHB
----------------------------	-----------------	--------------	--------------	----------------	-----------------

Product Specifications:

8" Widespread Mixing Faucet, Compression Cartridges, Wrist Action Handles, 5 3/4" Gooseneck (GN-B), 2.2 GPM VR Aerator



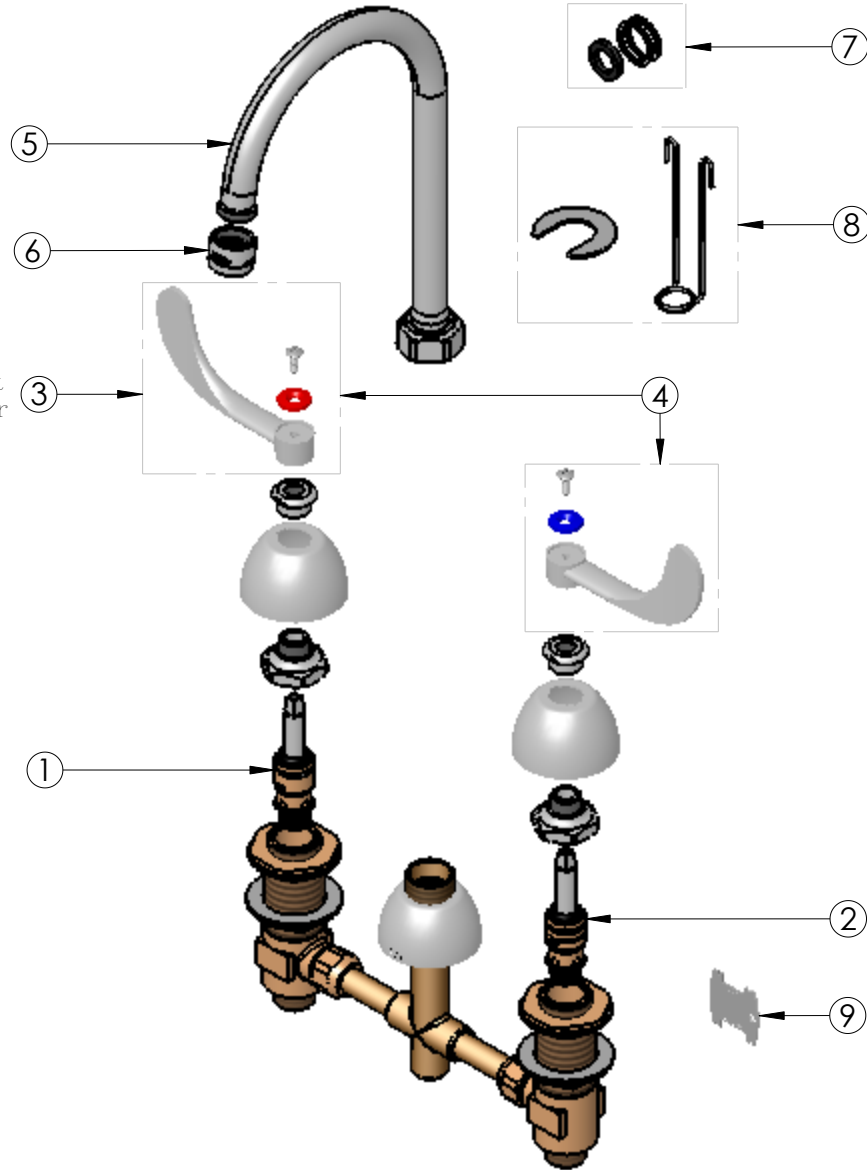
T&S BRASS AND BRONZE WORKS, INC.  
2 Saddleback Cove, P.O. Box 1088  
Travelers Rest, South Carolina 29690

Phone: 800.476.4103 Fax: 800.834.3518, Simi Valley 800.423.0750



REG. #A2601  
ISO #9001

ITEM NO.	SALES NO.	DESCRIPTION
1	Q015389-40	Long Compression Cartridge, Hot
2	Q015390-40	Long Compression Cartridge, Cold
3	Q015975-40	Wrist Action Handle, 1-Pack Kit
4	Q015974-40	Wrist Action Handle, 2-Pack Kit
5	Q015378-40	5 3/4" Gooseneck (GN-B)
6	Q016076-45	2.2 GPM Female VR Aerator & Key
7	Q016062-45	GN Swivel/Rigid Kit
8	Q015984-45	Trim Installation Package
9	Q015425-45	Vandal Resistant Key



Note: This Item Kit Includes Both Color Coded Indexes.

Model Number Q-859WB-5A	Date 7/24/06	Scale 1:4	Drawn DHL	Checked JRM	Approved JHB
----------------------------	-----------------	--------------	--------------	----------------	-----------------



Product Specifications:  
8" Widespread Mixing Faucet, Compression Cartridges,  
Wrist Action Handles, 5 3/4" Gooseneck (GN-B),  
2.2 GPM VR Aerator



T&S BRASS AND BRONZE WORKS, INC.  
2 Saddleback Cove, P.O. Box 1088  
Travelers Rest, South Carolina 29690

Phone: 800.476.4103 Fax: 800.834.3518, Simi Valley 800.423.0750



REG. #A2601  
ISO #9001