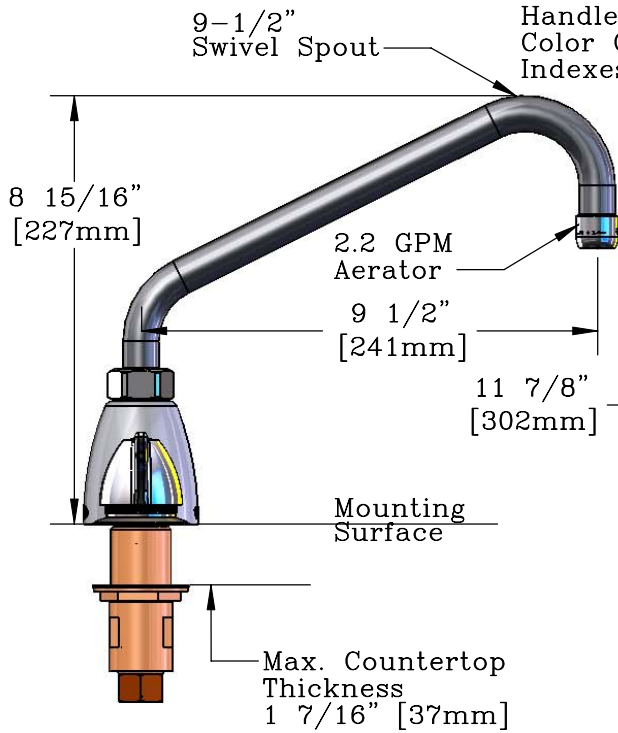
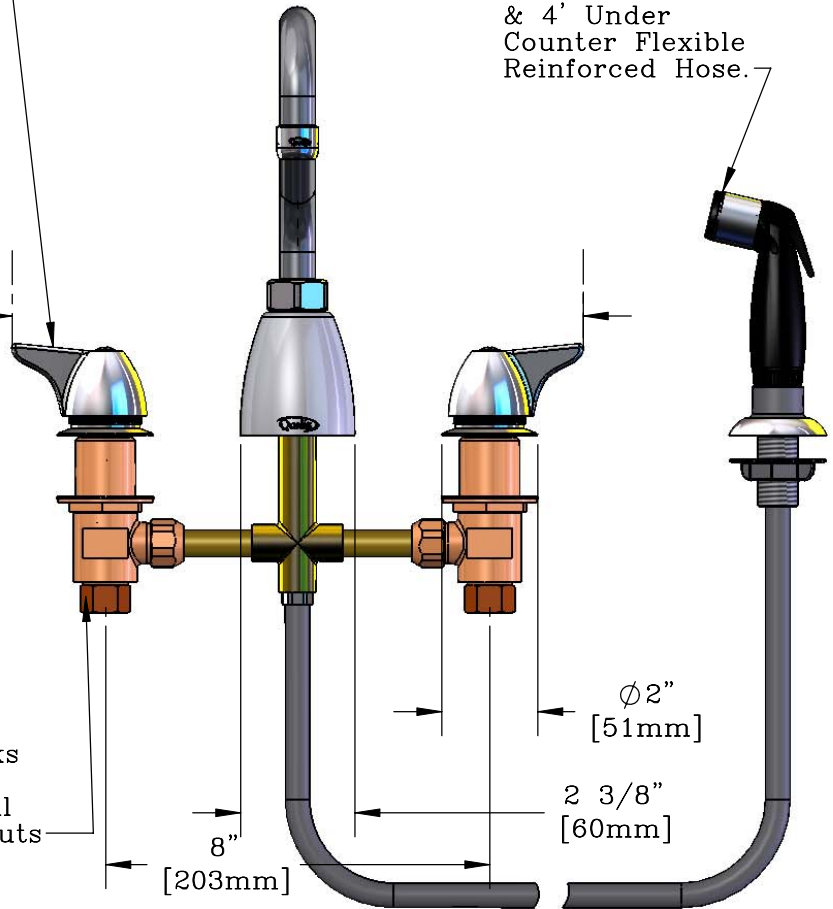


1/4 Turn
Hot & Cold
Compression
Cartridges w/
Domed Lever
Handles and
Color Coded
Indexes



1/2" NPSM
Male Shanks
Furnished
w/ Optional
Coupling Nuts



Black & Chrome
Side Spray w/
Automatic Diverter
& 4' Under
Counter Flexible
Reinforced Hose.

Note: Rough-In Requirement
(4) ϕ 1 1/2" [38mm] Holes
(ϕ 1 1/4" [ϕ 32mm] Minimum)

This Space for Architect/Engineer Approval

Job Name _____ Date _____
 Model Specified _____ Quantity _____
 Customer/Wholesaler _____
 Contractor _____
 Architect/Engineer _____

Available Options

Model Suffix #	Description
<input type="checkbox"/> -5A	2.2 GPM VR Aerator
<input type="checkbox"/> -5B	0.5 GPM Aerator
<input type="checkbox"/> -5C	0.5 GPM VR Aerator
<input type="checkbox"/> -5D	2.2 GPM Laminar Flow
<input type="checkbox"/> -VR5C	Complete VR Pkg (0.5 GPM)
<input type="checkbox"/> -VR5A	Complete VR Pkg (2.2 GPM)

Model Number Q-859XD-2B	Date 05/09/08	Scale 1:4	Drawn JRM	Checked DHL	Approved JHB
----------------------------	------------------	--------------	--------------	----------------	-----------------



Product Specifications:
 8" Widespread Mixing Faucet, Compression Cartridges,
 Domed Lever Handles, 9 1/2" Swing Spout,
 2.2 GPM Aerator, & Sidespray



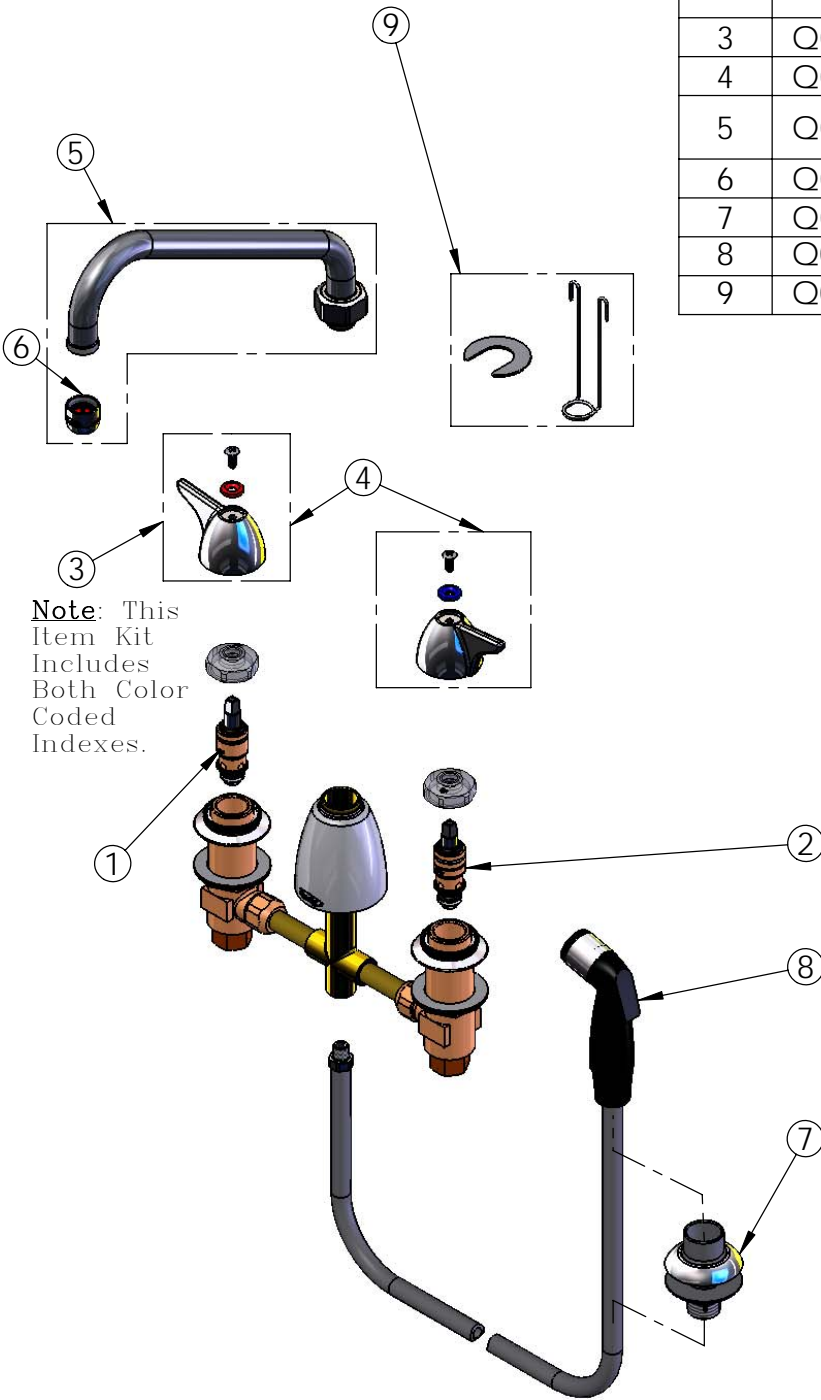
T&S BRASS AND BRONZE WORKS, INC.
 2 Saddleback Cove, P.O. Box 1088
 Travelers Rest, South Carolina 29690

Phone: 800.476.4103 Fax: 800.834.3518, Simi Valley 800.423.0750



REG. #A2601
 ISO #9001

ITEM NO.	SALES NO.	DESCRIPTION
1	Q015387-40	Standard Compression Cartridge, Hot
2	Q015388-40	Standard Compression Cartridge, Cold
3	Q017063-40	Domed Lever Handle, 1-Pack Kit
4	Q017064-40	Domed Lever Handle, 2-Pack Kit
5	Q016067-40	9 1/2"(SS-D) Gooseneck w/ 2.2 Aerator
6	Q014986-45	Aerator, Female, 2.2 GPM
7	Q001496-45	Hose Guide
8	Q001495-45	Sidespray
9	Q015984-45	Trim Installation Package



Model Number Q-859XD-2B	Date 05/09/08	Scale 1:4	Drawn JRM	Checked DHL	Approved JHB
----------------------------	------------------	--------------	--------------	----------------	-----------------



Product Specifications:
 8" Widespread Mixing Faucet, Compression Cartridges,
 Domed Lever Handles, 9 1/2" Swing Spout,
 2.2 GPM Aerator, & Sidespray



T&S BRASS AND BRONZE WORKS, INC.
 2 Saddleback Cove, P.O. Box 1088
 Travelers Rest, South Carolina 29690
 Phone: 800.476.4103 Fax: 800.834.3518, Simi Valley 800.423.0750



REG. #A2601
 ISO #9001