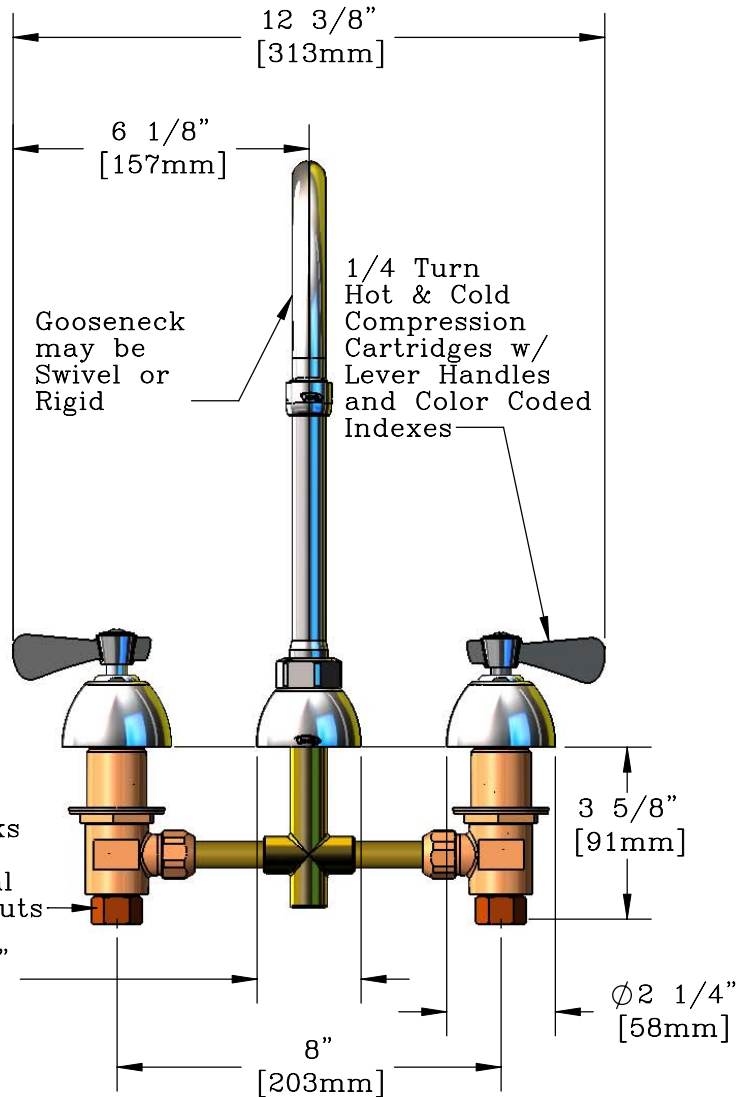
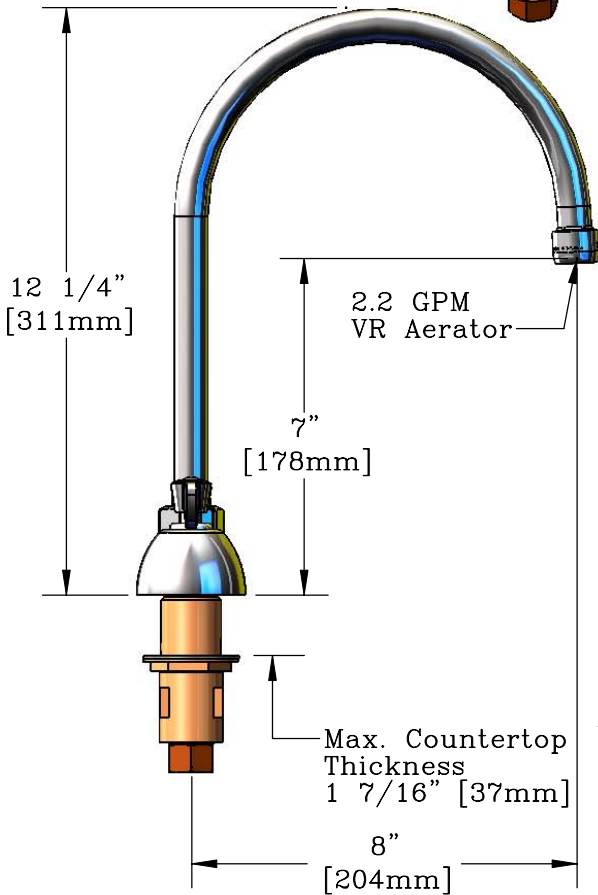
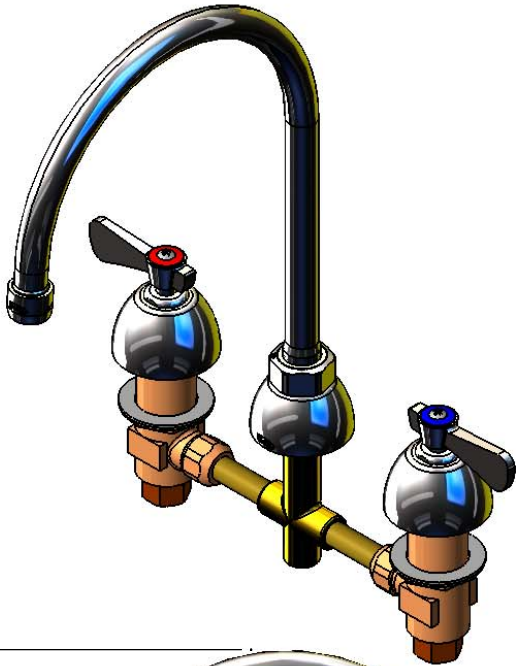


This Space for Architect/Engineer Approval

Job Name _____ Date _____
 Model Specified _____ Quantity _____
 Customer/Wholesaler _____
 Contractor _____
 Architect/Engineer _____



Model Number Q-859YC-5A	Date 6/3/08	Scale 1:4	Drawn JRM	Checked GEF	Approved JHB
----------------------------	----------------	--------------	--------------	----------------	-----------------



Product Specifications:
 8" Widespread Mixing Faucet, Compression Cartridges, Lever Handles, 8" Gooseneck (GN-C), 2.2 GPM VR Aerator

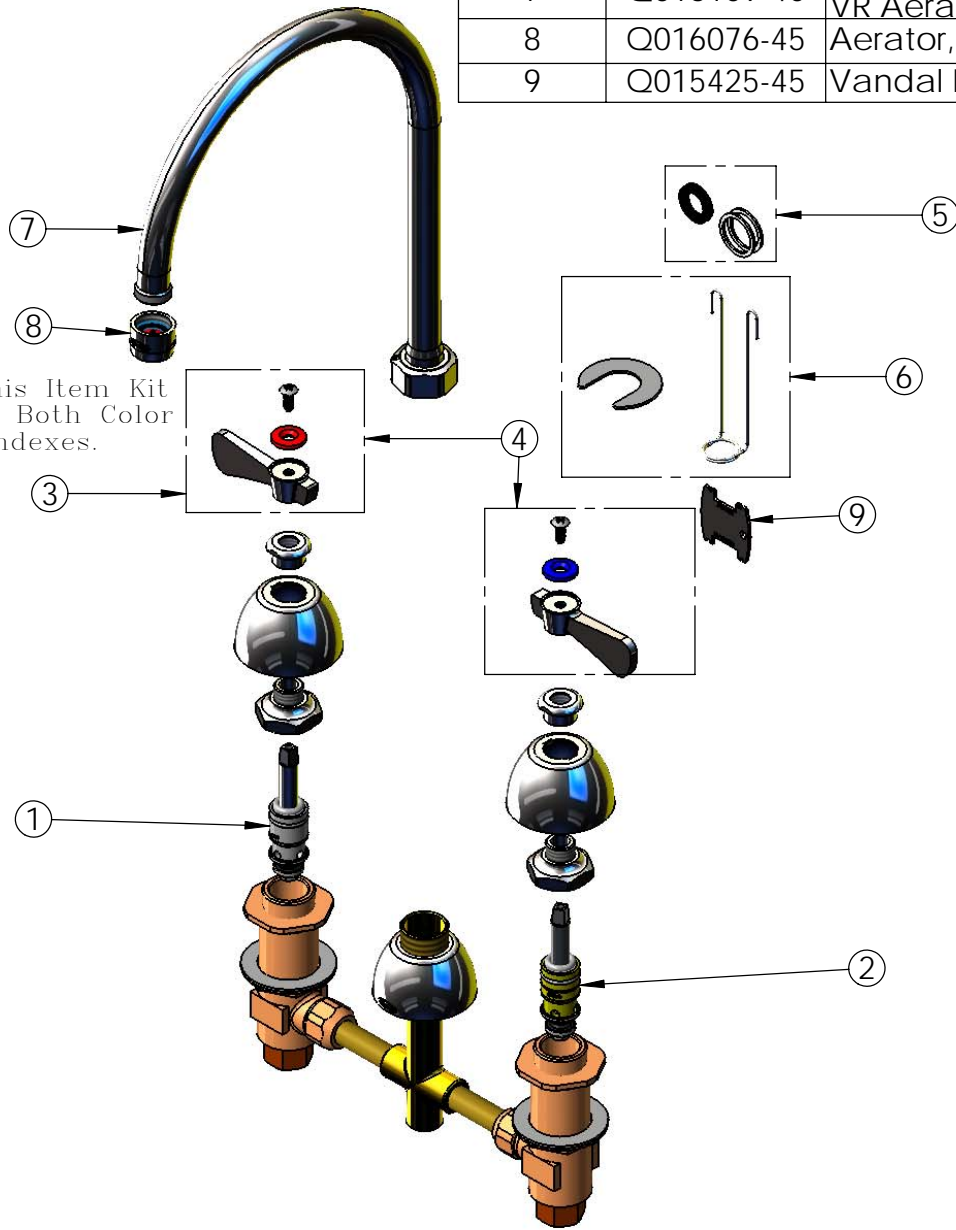


T&S BRASS AND BRONZE WORKS, INC.
 2 Saddleback Cove, P.O. Box 1088
 Travelers Rest, South Carolina 29690
 Phone: 800.476.4103 Fax: 800.834.3518, Simi Valley 800.423.0750



REG. #A2601
 ISO #9001

ITEM NO.	SALES NO.	DESCRIPTION
1	Q015389-40	Long Compression Cartridge, Hot
2	Q015390-40	Long Compression Cartridge, Cold
3	Q015973-40	Lever Handle, 1-Pack Kit
4	Q015972-40	Lever Handle, 2-Pack Kit
5	Q016062-45	GN Swivel/Rigid Kit
6	Q015984-45	Trim Installation Package
7	Q016109-40	8" (GN-C) Gooseneck , w/2.2 GPM VR Aerator
8	Q016076-45	Aerator, 2.2 GPM VR Female w/ Key
9	Q015425-45	Vandal Resistant Key



Model Number Q-859YC-5A	Date 6/3/08	Scale 1:8	Drawn JRM	Checked GEF	Approved JHB
----------------------------	----------------	--------------	--------------	----------------	-----------------



Product Specifications:
8" Widespread Mixing Faucet, Compression Cartridges, Lever Handles, 8" Gooseneck (GN-C), 2.2 GPM VR Aerator



T&S BRASS AND BRONZE WORKS, INC.
 2 Saddleback Cove, P.O. Box 1088
 Travelers Rest, South Carolina 29690
 Phone: 800.476.4103 Fax: 800.834.3518, Simi Valley 800.423.0750



REG. #A2601
 ISO #9001