



ADA COMPLIANT

This Space for Architect/Engineer Approval

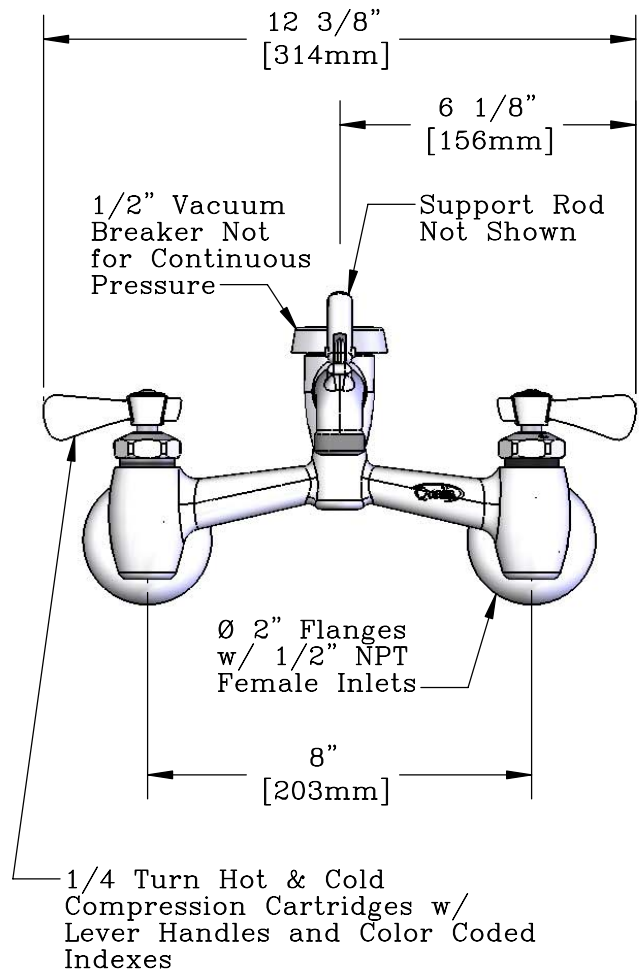
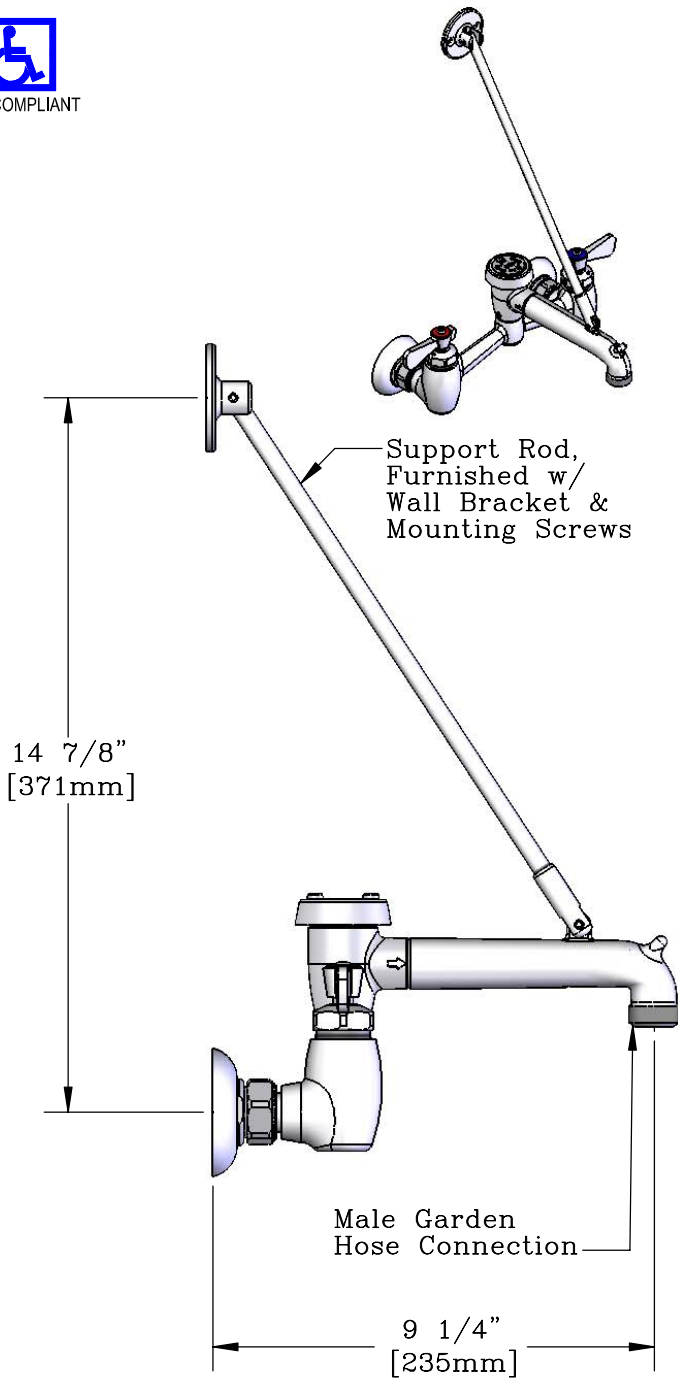
Job Name \_\_\_\_\_ Date \_\_\_\_\_

Model Specified \_\_\_\_\_ Quantity \_\_\_\_\_

Customer/Wholesaler \_\_\_\_\_

Contractor \_\_\_\_\_

Architect/Engineer \_\_\_\_\_



Model Number Q-939YT-P	Date 3/17/2006	Scale 1:4	Drawn DHL	Checked JRM	Approved JHB
---------------------------	-------------------	--------------	--------------	----------------	-----------------

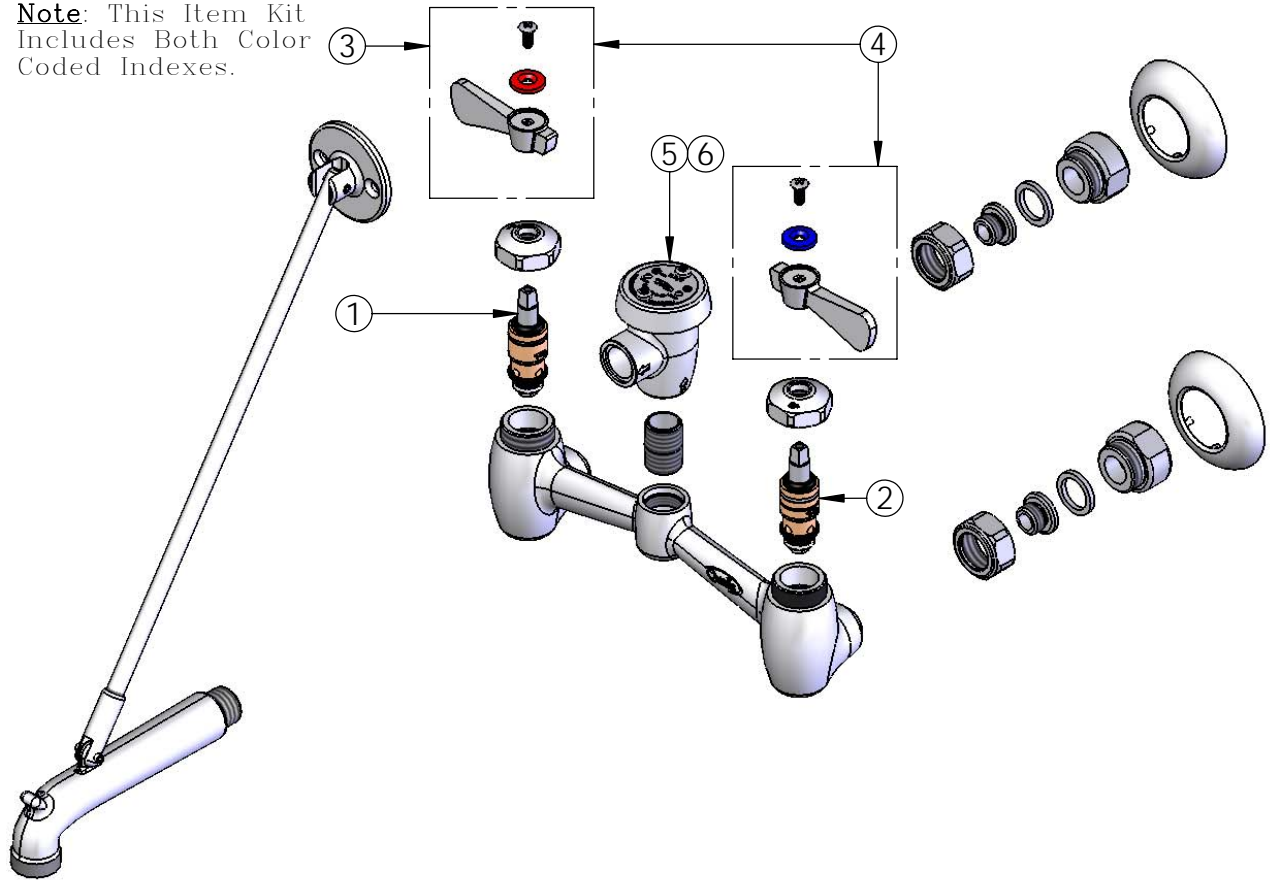
	Product Specifications: Service Sink, Inlet Stops, Compression Cartridges, Lever Handles, Polished Chrome
	T&S BRASS AND BRONZE WORKS, INC. 2 Saddleback Cove, P.O. Box 1088 Travelers Rest, South Carolina 29690 Phone: 800.476.4103 Fax: 800.834.3518, Simi Valley 800.423.0750



REG. #A2601  
ISO #9001

ITEM	SALES NO.	DESCRIPTION
1	Q015387-40	Standard Compression Cartridge, Hot
2	Q015388-40	Standard Compression Cartridge, Cold
3	Q015973-40	Lever Handle, 1-Pack Kit
4	Q015972-40	Lever Handle, 2-Pack Kit
5	Q015484-45	1/2" Vacuum Breaker- Qualis
6	Q012600-45	Repair Kit for 1/2" Vacuum Breaker

**Note:** This Item Kit Includes Both Color Coded Indexes.



Model Number Q-939YT-P	Date 3/17/2006	Scale 1:8	Drawn DHL	Checked JRM	Approved JHB
---------------------------	-------------------	--------------	--------------	----------------	-----------------



Product Specifications:

Service Sink, Inlet Stops, Compression Cartridges,  
Lever Handles, Polished Chrome



T&S BRASS AND BRONZE WORKS, INC.  
2 Saddleback Cove, P.O. Box 1088  
Travelers Rest, South Carolina 29690

Phone: 800.476.4103 Fax: 800.834.3518, Simi Valley 800.423.0750



REG. #A2601  
ISO #9001