

This Space for Architect/Engineer Approval

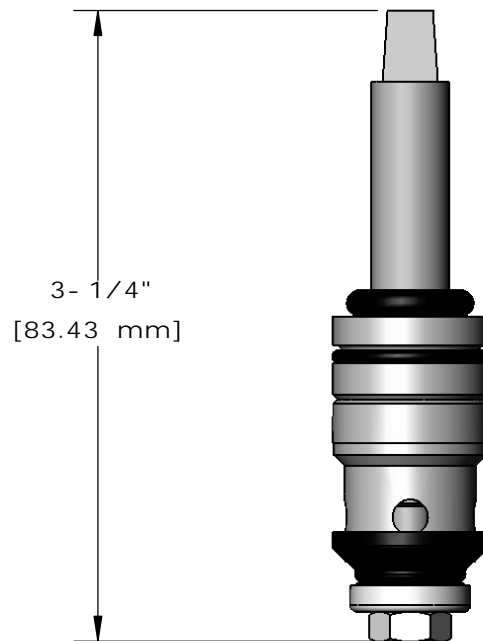
Job Name _____ Date _____

Model Specified _____ Quantity _____

Customer/Wholesaler _____

Contractor _____

Architect _____



| | | | | | |
|----------------------------|-------------------|--------------|--------------|----------------|-----------------|
| Model Number Q015390-40 | Date 3/10/2006 | Scale 1:1 | Drawn JRM | Checked WJS | Approved JHB |
|----------------------------|-------------------|--------------|--------------|----------------|-----------------|



Product Specifications:

LTC, C-CW, COLD SIDE
LONG COMPRESSION



T&S BRASS AND BRONZE WORKS, INC.
2 Saddleback Cove, P.O. Box 1088
Travelers Rest, South Carolina 29690

Phone: 800.476.4103 Fax: 800.834.3518, Simi Valley 800.423.0750



REG. #A2601
ISO #9001