

*This Space for Architect/Engineer Approval*

Job Name \_\_\_\_\_ Date \_\_\_\_\_

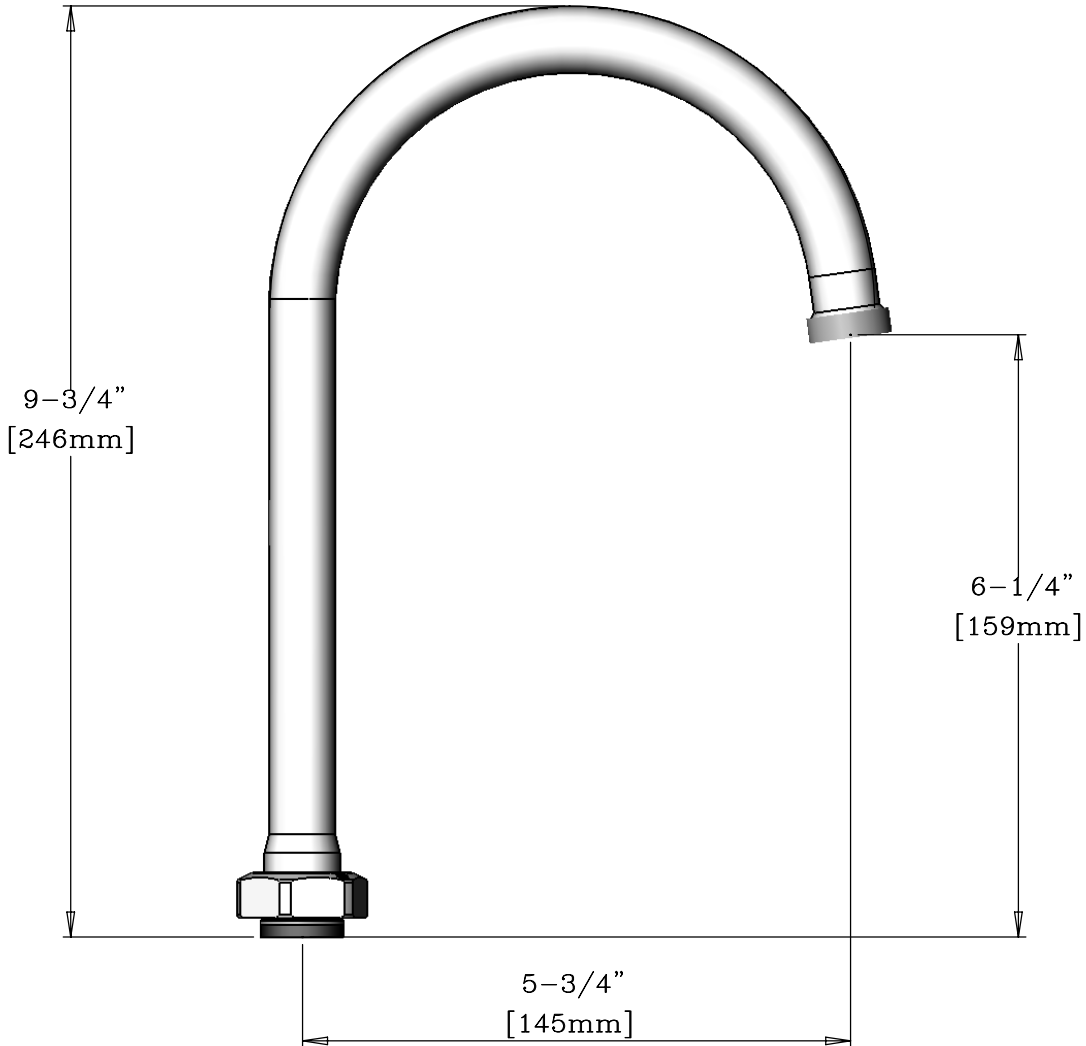
Model Specified \_\_\_\_\_ Quantity \_\_\_\_\_

Customer/Wholesaler \_\_\_\_\_



Contractor \_\_\_\_\_

Architect \_\_\_\_\_

13/16-24 MALE THREAD CONCEALED  
BY PLAIN-END SPOUT RING



Model Number Q015440-40	Date 3/17/2006	Scale 1:2	Drawn JRM	Checked WJS	Approved JHB
----------------------------	-------------------	--------------	--------------	----------------	-----------------

	Product Specifications: 5 3/4" Gooseneck (GN-B) , Plain End w/ 1.2 GPM Flow Control
	 T&S BRASS AND BRONZE WORKS, INC. 2 Saddleback Cove, P.O. Box 1088 Travelers Rest, South Carolina 29690 Phone: 800.476.4103 Fax: 800.834.3518, Simi Valley 800.423.0750



REG. #A2601  
ISO #9001