



This Space for Architect/Engineer Approval

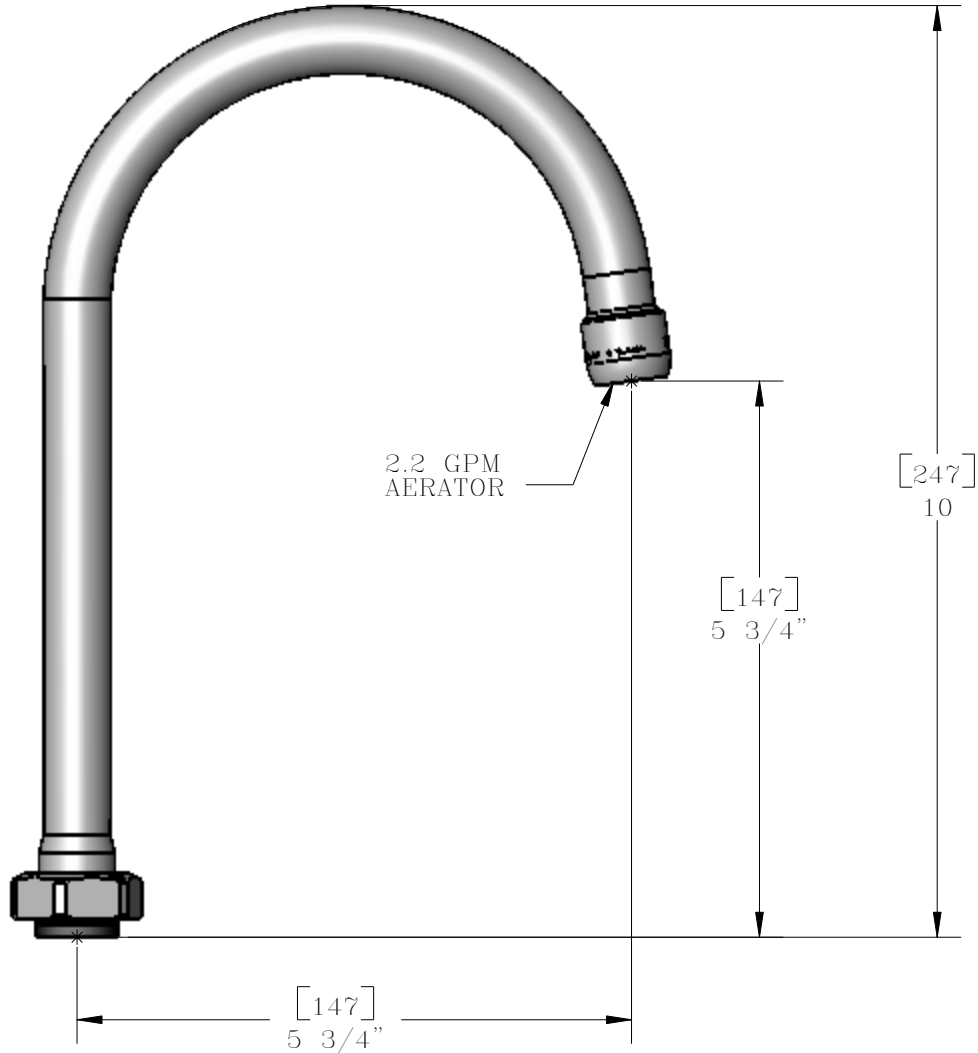
Job Name _____ Date _____

Model Specified _____ Quantity _____

Customer/Wholesaler _____

Contractor _____

Architect _____



| | | | | | |
|----------------------------|------------------|--------------|--------------|----------------|-----------------|
| Model Number Q016048-40 | Date 08/21/06 | Scale 1:2 | Drawn DHL | Checked JRM | Approved JHB |
|----------------------------|------------------|--------------|--------------|----------------|-----------------|



Product Specifications:

**5 3/4" Gooseneck (GN-B)
w/ 2.2 GPM Female Aerator**


T&S BRASS AND BRONZE WORKS, INC.
 2 Saddleback Cove, P.O. Box 1088
 Travelers Rest, South Carolina 29690
 Phone: 800.476.4103 Fax: 800.834.3518, Simi Valley 800.423.0750


 REG. #A2601
 ISO #9001