

This Space for Architect/Engineer Approval

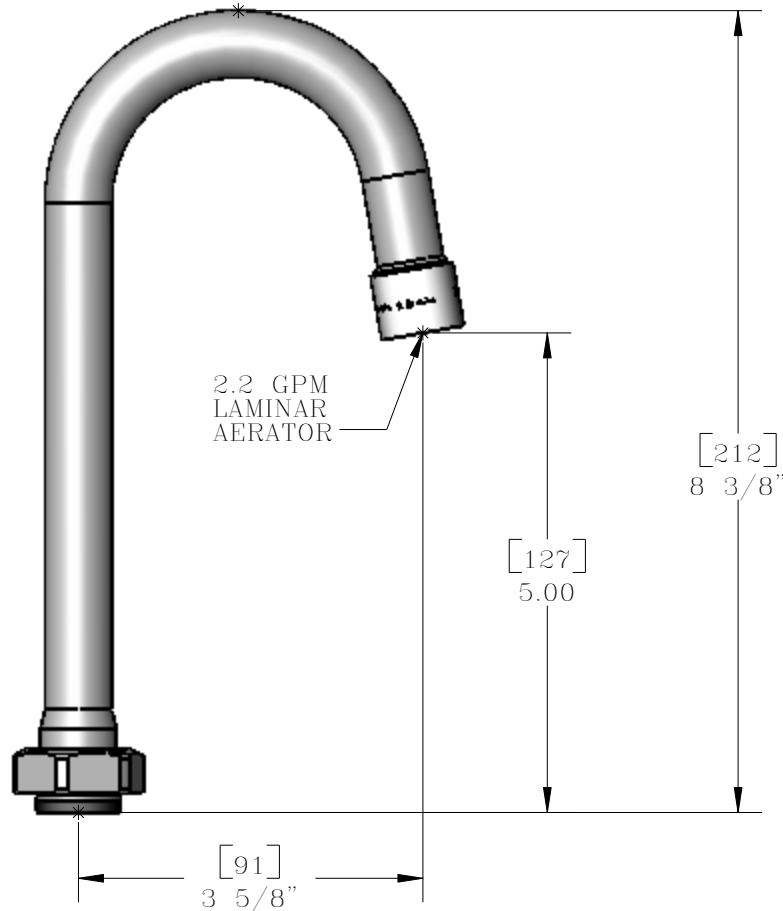
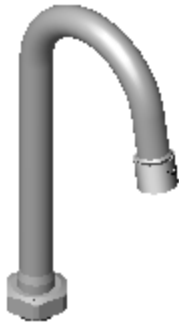
Job Name _____ Date _____

Model Specified _____ Quantity _____

Customer/Wholesaler _____

Contractor _____

Architect _____



Model Number
Q016123-40

Date
08/21/06

Scale
1:2

Drawn
DHL

Checked
JRM

Approved
JHB



Product Specifications:

3 1/2" Gooseneck (GN-A)
w/ 2.2 GPM Female Laminar Aerator



T&S BRASS AND BRONZE WORKS, INC.
2 Saddleback Cove, P.O. Box 1088
Travelers Rest, South Carolina 29690

Phone: 800.476.4103 Fax: 800.834.3518, Simi Valley 800.423.0750



REG. #A2601
ISO #9001